



424HS

Suction Sweeper Parts Manual



To view, print or download
the latest manual, visit:

www.tennantco.com/manuals

www.greenmachines.com

Rev. 0 (05-2009)

Green Machines

Bankside
Falkirk FK2 7XE
www.greenmachines.com

Tennant Company

PO Box 1452
Minneapolis, MN 55440
Phone: (800)553-8033 or
(763) 513-2850
www.tennantco.com

Tennant N.V.

Industrielaan 6 5405 AB
PO Box 6 5400 AA Uden
Netherlands
europa@tennantco.com
www.tennantco.com

The information contained within this document conforms wherever possible to The European Machinery Directive 89/392/EEC as amended by Directive 91/368/EEC.

Copyright Applied Sweepers 2004-2006. This document is confidential and the document and copyright therein are the property of Applied Sweepers Ltd.

This document and any information therein may not be used, copied or disclosed to any third party without the prior written authorization of Applied Sweepers Ltd.

When ordering parts from this catalogue, please also provide your dealer with the model number and chassis number of your machine (located on the chassis plate).

Threaded fasteners - Replacement hexagon head screws must be Grade 8.8 metric minimum and socket head screws must be Grade 12.9 metric minimum, except where stated otherwise. All nuts must be Grade 8 minimum. All fasteners should be zinc plated and passivated unless stated otherwise.

Specifications and parts are subject to change without notice.

424HS

Parts Catalogue

Bodywork

Body Panels & Water Tank (from CIN 92)	AS030-10
Front Box Assembly (from CIN 92)	AS025-9a
Front Hose & Brush Covers	AS029-9
Top Cover Assembly (from CIN 92)	AS044-10

Chassis & Transmission

Drive Axle & Chassis	AS005-9A
----------------------	----------

DEA / CSA Option

DEA / CSA Option - Storage Box	AS040-9
DEA/ CSA Option - Body Panels	AS046-9a
DEA/ CSA Option - Electrical	AS051-9
DEA/ CSA Option - Hydraulic Drive	AS066-9a
DEA/ CSA Option - Principal Components	AS027-9

Electrical System

Electrical (424 Models)	AS065-9
-------------------------	---------

Engine & Ancillaries

Engine Cooling System (from CIN 98)	AS037-9
Engine, Exhaust & Impeller	AS010-9a
Engine, Fuel & Air System	AS008-9a
Kubota Engine Parts	ENGACCESS

Handles & Controls

Air Filter Bracket	AS063-10
Handle & Controls (from CIN 117)	AS064-10
Parking Brake	AS007-10
Pitch Lock (424HS)	AS056-10

Hydraulics

Hydraulic Ancillary Control Block (424HS)	AS060-9
Hydraulic Control Block (Series 3 from CIN 108)	AS015-9
Hydraulic System (424HS)	AS061-9a

Seat

Cab Assembly (424HS & 424TR)	AS062-9a
Caddy Wheel & Stand (424HS & 424TR)	AS059-9a
Seat Tow Bar & Coupling (424HS & 424TR)	AS058-9a

Suction System & Brushes

Brush Assembly	AS035-9a
Fan Casing (424HS only)	AS070
Filter Bag & Trunking (swing-out bag system)	AS068
Front Hose Assembly	AS069
Suction Nozzle Assembly (from CIN 100)	AS012-10

Water System

Water System	AS020-10
--------------	----------

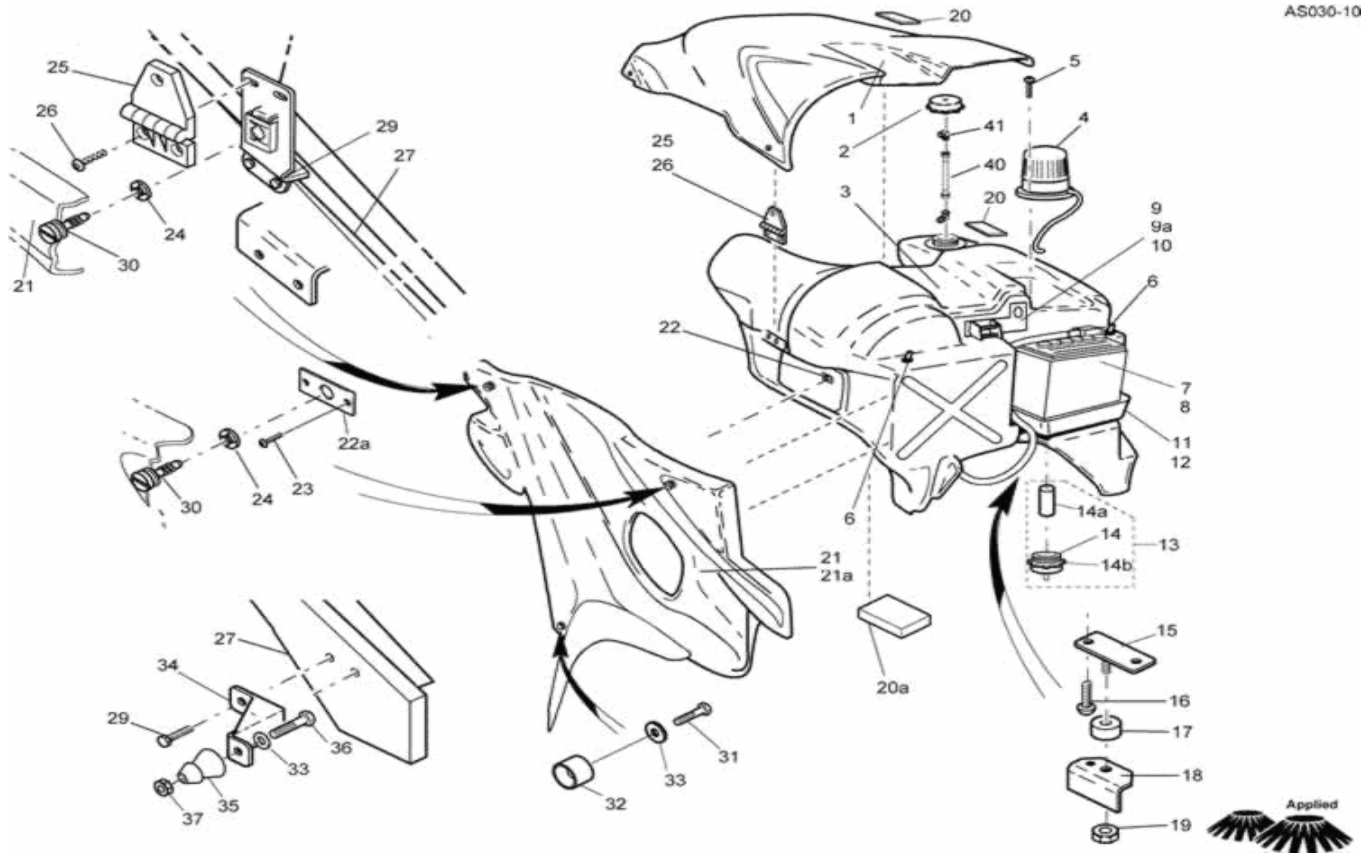
Body Panels & Water Tank (from CIN 92)

Model: 424HS

From CIN: 92 To CIN: 999

Drawing: AS030-10 Revision: A

AS030-10



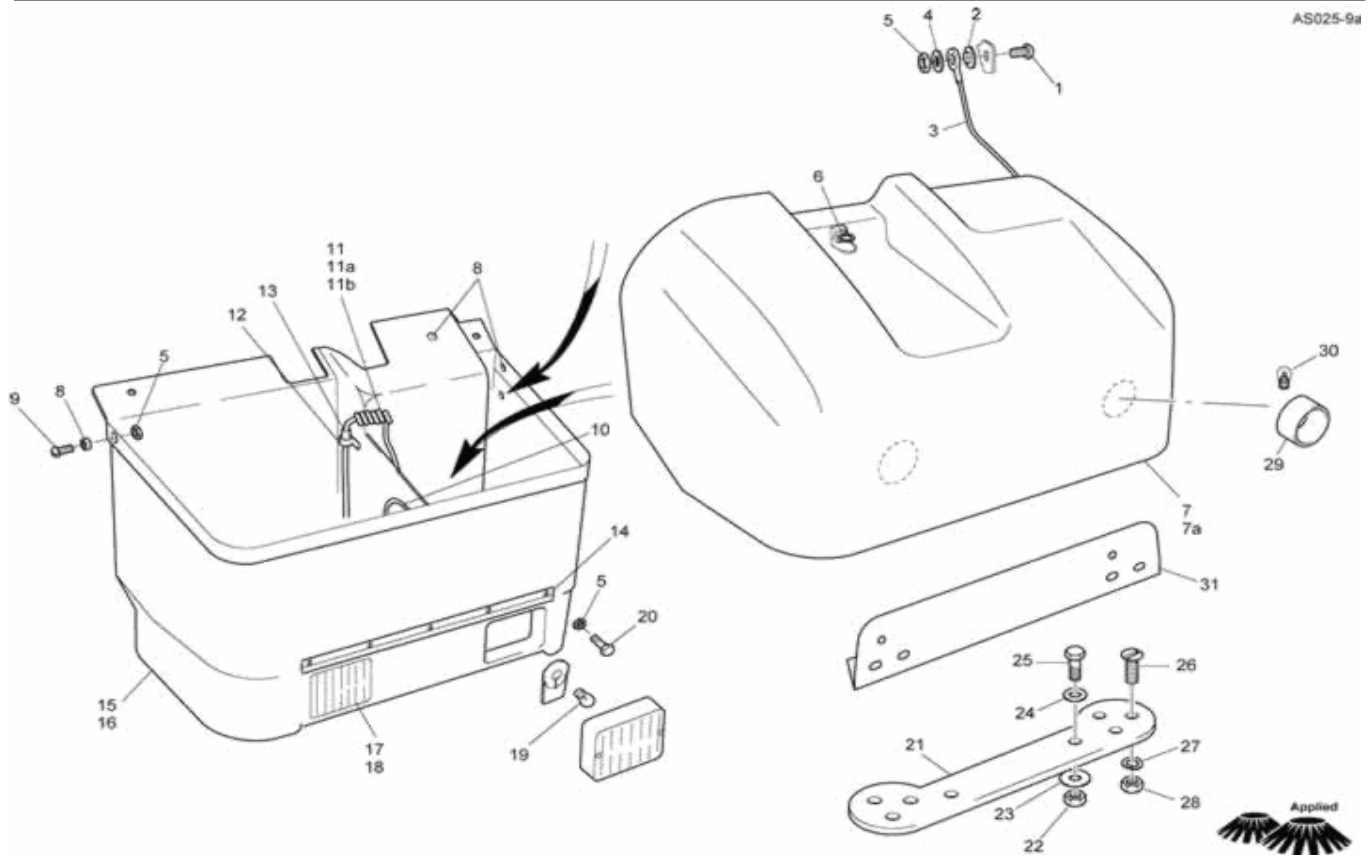
1	CP154 - Top Cover (from CIN 117)	1	20	CP051 - Rubber Pad for top cover adjuster	2
1a	CP122 - Top Cover (CIN 92 to 116)	1	20b	CP197 - Seat Box Moulding	1
2	WA037 - Cap for Water Bottle	1	21	CP126 - Side Panel (CIN 92 to 116)	1
3	CP121 - Water Tank, Rotomould	1	21a	CP150 - Side Panel (from CIN 117)	1
4	ES123 - Beacon Assembly	1	22	CB689 - Receptacle, TR/HS	1
5	GT193 - M5 x 16 button head screw	3	24	GG148 - Retaining washer - plastic	1
6	CP042 - Stud for front box retention	2	25	CP041 - Hinge for top cover	1
7	EM009 - Battery	1	26	GT050 - M8 x 16 Button Head Screw	6
8	EM010 - Battery Acid Pack	1	29	GT203 - M6 x 12 Hex Flanged Sheet Metal Screw	1
9	CB320 - Bracket, Front Box Lock	1	30	GG146 - Knurled panel screw	4
9a	CB564 - Bracket, front box lock	1	31	GT090 - M6 x 12 Hex Screw	1
10	GT222 - M5 x 8 buttonhead screw	2	32	GG044 - Door Stop - female	1
11	CP028 - Tray for battery	1	33	GW038 - M6 Flat Washer	1
13	WA036 - Drain Cap Assembly	1	34	CB371 - Bracket - side panel lower fixing	1
14	WA037 - Cap for Water Bottle	1	35	GG033 - Door Stop - male	1
14a	WA041 - Strainer - Drain Cap	1	36	GT229 - M6 x 30 Button Head screw	1
14b	WA011 - Coupling, quick release	1	37	GN011 - M6 Locknut - Nylon	2
15	CB406 - Bracket	1	39	GG147 - Slip on receptacle	1
16	GT054 - M8 x 20 Button Head Socket Screw	2	40	PC081 - Water Level Tube	1
17	GG054 - Bush rubber bushing	1	41	CP090 - 1/8 Elbow	1
18	CP023 - Bracket - Casing to water tank	1			
19	GN004 - M8 Locknut - Nylon	1			

Front Box Assembly (from CIN 92)

Model: 424HS

From CIN: 1 To CIN: 999

Drawing: AS025-9a Revision:



AS025-9a

1	GT136 - M5 x 20 Button Head Screw	6	22	GN011 - M6 Locknut - Nylon	2
2	GG078 - Washer - top hat	2	23	GW011 - Washer 1	2
3	GG034 - Restraining Cable	1	24	GW031 - Washer M6 Form C	2
4	GW008 - M5 Flat Washer	5	25	GT027 - M6 x 20 Hex Screw	2
5	GN006 - M5 Locknut - Nylon	5	26	GT199 - M5 x 16 countersunk socket screw	4
6	GG204 - Tailgate Lock	1	27	GW008 - M5 Flat Washer	4
7	CP134 - Front Box Lid	1	28	GN006 - M5 Locknut - Nylon	4
7a	CP156 - Front Box Lid HS/TR Indicators	1	29	ES127 - Front Turn Signal Light (424HS)	2
9	GT193 - M5 x 16 button head screw	3	30	ES133 - Turn Signal Bulb	2
11	EW039 - Wiring Loom for front lights	1	31	CB664 - Mounting Plate DEA HS	1
11a	EW130 - Wiring Loom, 424TR without indicators	1			
11b	EW117 - Wiring Loom, TR/HS with indicators	1			
13	ES025 - Plug only for front lights	1			
14	GG057 - Piano Hinge	1			
14a	GT051 - M5 x 16 Hex Screw	9			
15	CP138 - Front Box Base, RS (from CIN 92)	1			
16	CP137 - Front Box Base, S2D rotomould	1			
17	ES047 - Light - front (414RS, 424TR, 424HS)	2			
18	AE030 - Front Light assembly (414S2D only)	2			
19	ES032 - Bulb 12V 21W	2			
20	GT112 - M5 x 16 Button Head Screw	2			
21	MA620 - Mounting plate, for 424HS or 424TR eq	1			

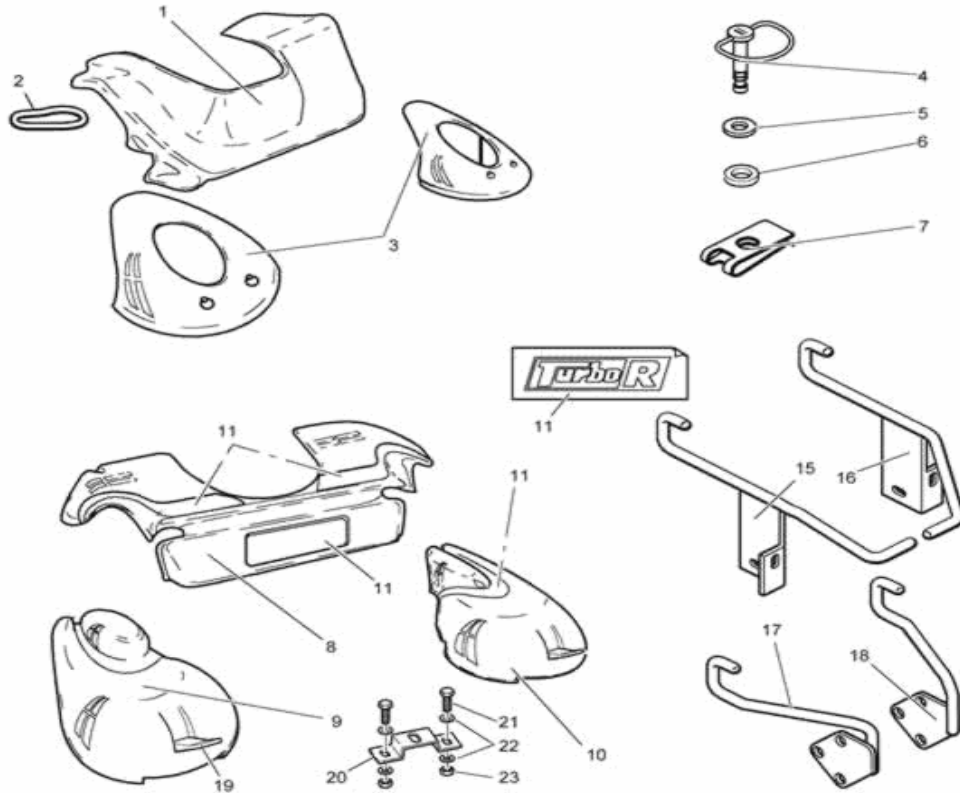
Front Hose & Brush Covers

Model: 424HS

From CIN: 1 To CIN: 999

Drawing: AS029-9 Revision:

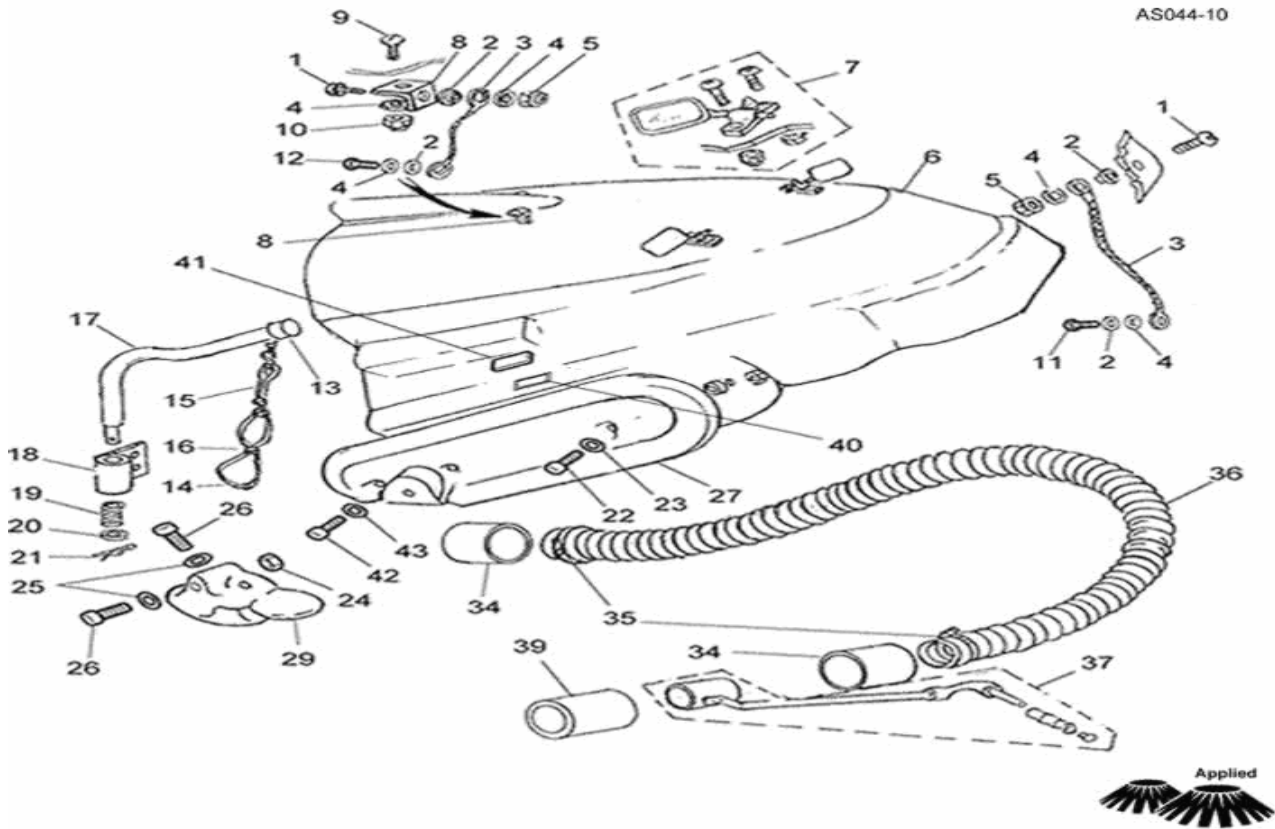
AS029-9



1	CP052 - Front Hose Cover S2D/RS/TR	1
2	CP054 - Fastener Rubber	2
3	CP139 - Brush Cover S2D/RS/TR	2
4	GG110 - Ring Head Stud - 17 mm	4
5	GG055 - Plastic Washer (6mm)	4
6	GG041 - Retainer Washer - steel	4
7	GG042 - Slip on receptacle	4
8	CP125 - Front Hose Cover, HS/Turbo R	1
9	CP164 - Brush Cover Assy. Right Side, 424HS/T	1
10	CP165 - Brush Cover Assy. Left Side, 424HS/Tu	1
12	GG158 - Knurled panel screw - 5.8 dia. x 21.9	4
13	GG129 - Retaining Washer - stainless steel	4
14	GG074 - Clip on receptacle	4
15	CB425 - Bracket, Right hand	1
16	CB424 - Bracket, Left hand	1
17	CB435 - Bracket, Right hand - brush cover mou	1
18	CB434 - Bracket, Left hand - brush cover moun	1
19	GG173 - Swell latch	2
20	CB649 - Bracket, brush mounting	2
21	GT028 - M8 x 20 Setscrew	4
22	GW041 - M8 Washer Form A	8
23	GN004 - M8 Locknut - Nylon	4

Top Cover Assembly (from CIN 92)

Model: 424HS
 From CIN: 1 To CIN: 999
 Drawing: AS044-10 Revision:



1	GT136 - M5 x 20 Button Head Screw	4	22	GT025 - M6 x 35 Hex Screw	1
2	GG078 - Washer - top hat	4	23	GW031 - Washer M6 Form C	1
3	GG034 - Restraining Cable	2	24	GN004 - M8 Locknut - Nylon	2
4	GW008 - M5 Flat Washer	6	25	GW021 - Washer, M8 x 25	2
5	GN006 - M5 Locknut - Nylon	4	26	GT089 - M8 x 35 Hex Setscrew	2
6	CP122 - Top Cover (CIN 92 to 116)	1	27	AW092 - Whoosh hose carrier	1
6a	CP154 - Top Cover (from CIN 117)	1	29	CP119 - Male Hose Carrier, Whoosh	1
7	MA001 - Wing Mirror	2	31	GT025 - M6 x 35 Hex Screw	1
8	CP043 - Bracket for box retention strap	1	32	GW031 - Washer M6 Form C	6
9	GT054 - M8 x 20 Button Head Socket Screw	1	33	GT135 - M6 x 16 Hex Screw	2
10	GN004 - M8 Locknut - Nylon	1	34	AW040 - Rubber band for whoosh hose	2
11	GT119 - 8 x 3/4 self-tapping screw	1	35	GG086 - Hose Clamp (110mm to 140mm)	2
12	GT193 - M5 x 16 button head screw	1	36	AW053 - Whoosh hose	1
13	AW050 - Plastic cap for whoosh boom end	1	37	AW136 - Woosh Handle Assembly (414 from CIN 1	1
14	AW009 - Rubber fastener for whoosh hose	1	39	AW006 - Rubber End Cuff for Whoosh Hose	1
15	GM154 - Snap Clip	1	40	GG172 - Adjustable Catch	1
16	PG008 - O Clip - 1/2 in.	1	40a	CB858 - Reinforcing plate - Top Cover	1
17	AW013 - Boom arm for whoosh	1	41	CP051 - Rubber Pad for top cover adjuster	1
18	AW012 - Bracket for whoosh boom	1	42	GT135 - M6 x 16 Hex Screw	2
19	AW083 - Spring for whoosh boom return	1	43	GW031 - Washer M6 Form C	2
20	GW051 - M12 Washers Form A	1			
21	BB028 - R Pin	1			

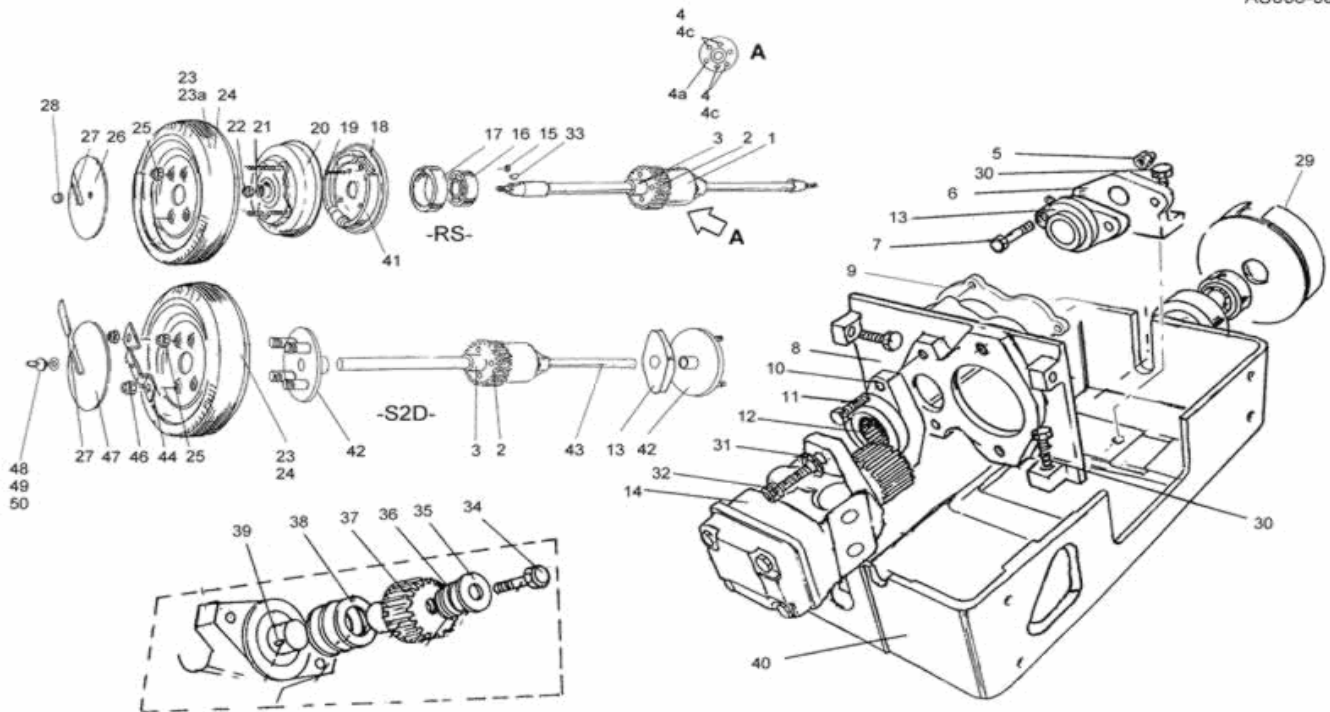
Drive Axle & Chassis

Model: 424HS

From CIN: 1 To CIN: 999

Drawing: AS005-9A Revision: A

AS005-9a



1 -- TT038 --Differential only

1a --TT043- Axle Assembly (414RS and 424TR)

1b --TT052- Differential c/w Extended sleeves (HS only)

1	TT038 - Differential	1	18	MA309 - Brake Back Plate - right side	1
1a	TT043 - Axle Assembly (414RS, 424TR, 424HS)	1	19	GT251 - M8 x 45 sockethead capscrew	6
1b	TT052 - Differential Assembly, HS - E	1	20	MA003 - Brake Drum	2
2	TT044 - Drive Gear & bolts kit	1	21	MA061 - Washer, form a 36 o/d 12.7 i/d	2
3	TT019 - Inner Ring	1	22	GN047 - M12 Locknut - Prevailing Torque (Phil)	2
4	GT177 - 5.16th UNF x 3.75 in. Hex Bolt - SAE	4	23	TW003 - Main Wheel/Tire(414S2D/RS/424TR)-non-	2
4a	GT191 - 5.16th UNC x 2 in. Hex Bolt - SAE Gra	2	23a	TW035 - Main Wheel/Tire(424HS) - Puncture Res	2
4c	GW006 - Washer, 5/16	4	24	TW034 - Main Wheel/Tyre(414S2D/RS/424TR)-Punc	2
5	GN019 - M10 Locknut - Nylon	2	25	GN017 - Wheel Nut 3/8	8
6	CA016 - Bracket, for Heavy-duty Bearing	1	26	TW020 - Wheel Cover	2
7	GT093 - M10 x 40 Hex Screw	2	28	GN034 - M12 Dome Nut (Acorn)	2
8	CA071 - Cross brace for chassis (from CIN 85)	1	29	MA310 - Brake Back Plate - left side	1
9	CA113 - Cover Plate for gearbox	1	30	GT086 - M10 x 25 Hex Screw	6
10	CA030 - Bearing housing	1	31	GW049 - M12 Schnorr Lockwasher	2
11	GT049 - M8 x 25 Hex Screw	2	32	GT271 - M12 x 40 Socket Cap Screw	2
12	TT018 - Needle Bearing	1	33	MA125 - Woodruff Key	2
13	TT004 - Bearing - self aligning	1	34	GT049 - M8 x 25 Hex Screw	1
14	HM019 - Hydraulic Drive Motor - 414S2D, 414RS	1	37	TT009 - Pinion Gear	1
14a	HM029 - Hydraulic Drive Motor, T Type 60cc	1	40	CA077 - Chassis (Steel)	1
15	GN004 - M8 Locknut - Nylon	6	41	MA322 - Brake Shoes	1
16	MA057 - Bearing, heavy duty	2	42	TT008 - Wheel Hub Assembly	2
17	MA058 - Housing for bearing	1	43	TT041 - Differential	1

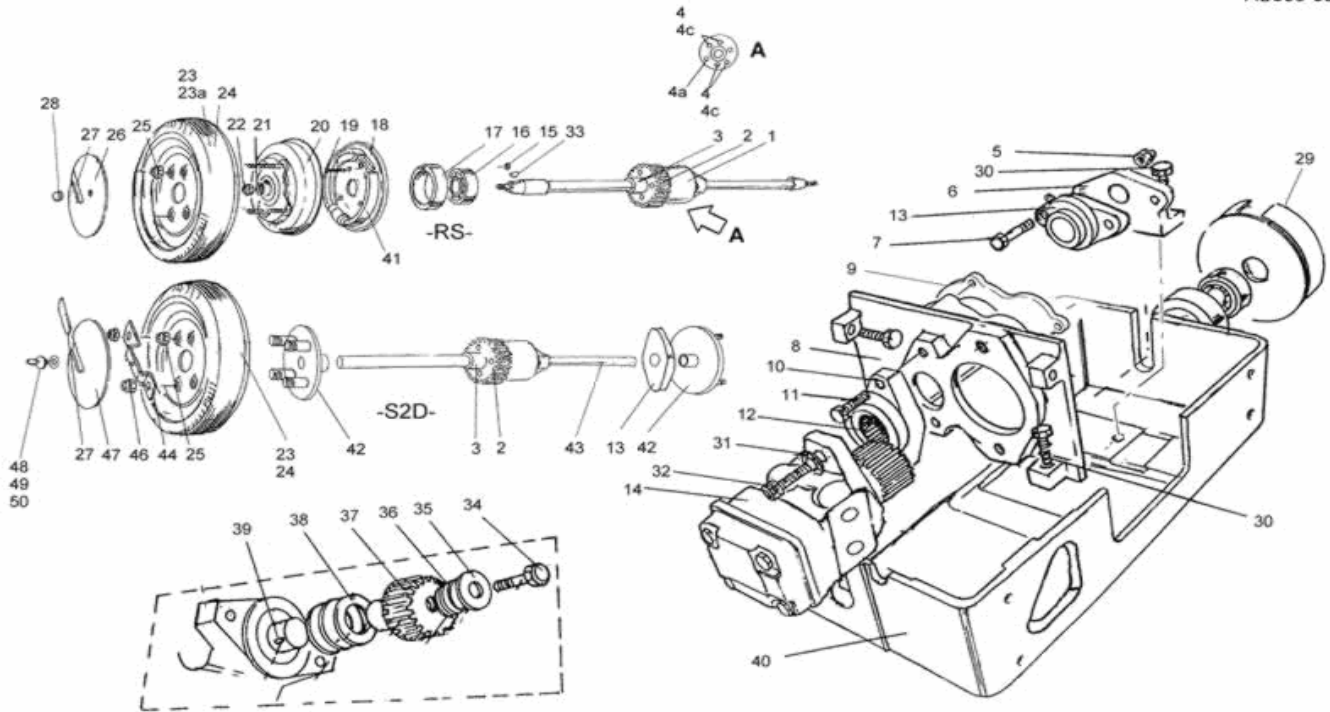
Drive Axle & Chassis

Model: 424HS

From CIN: 1 To CIN: 999

Drawing: AS005-9A Revision: A

AS005-9a



44	TW014 - Bracket for wheel cover	2
45	GG042 - Slip on receptacle	2
46	GN014 - 3/8 UNF Locknut - nylon	4
47	TW015 - Wheel Cover	2
48	GG055 - Plastic Washer (6mm)	4
49	GG048 - Ring Head Stud - 14 mm	2
50	GG041 - Retainer Washer - steel	2

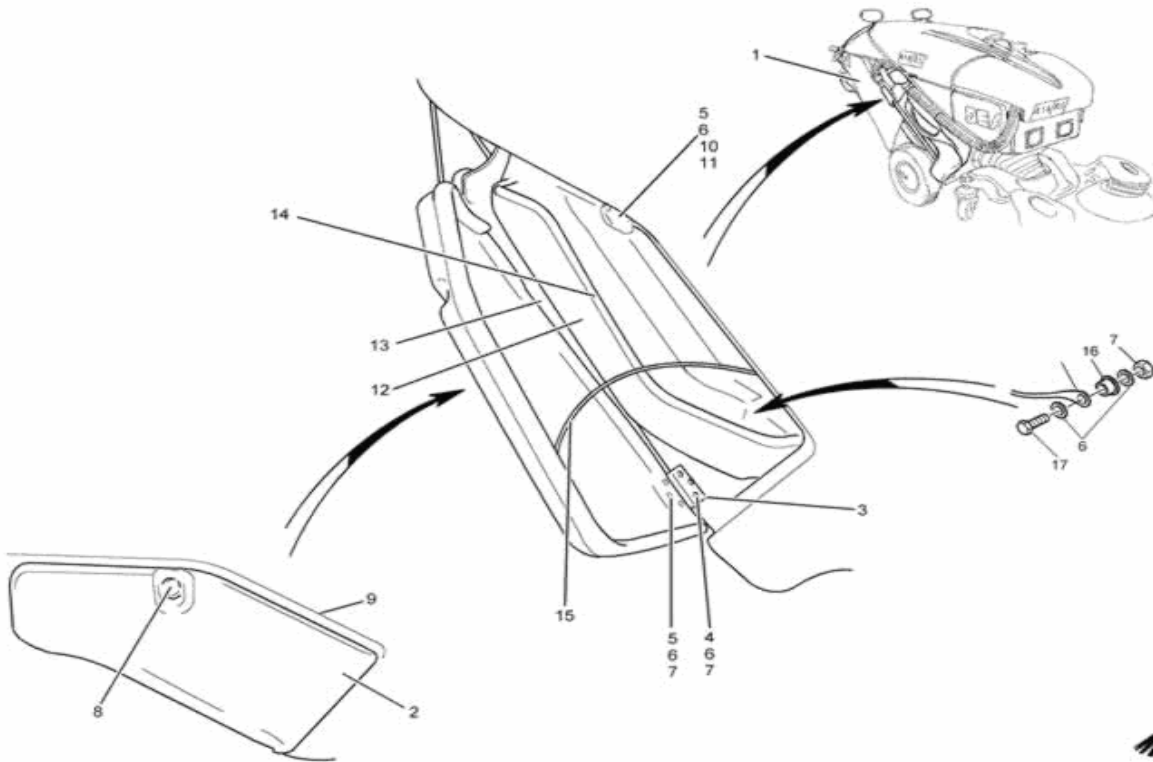
DEA / CSA Option - Storage Box

Model: 424HS

From CIN: 1 To CIN: 999

Drawing: AS040-9 Revision:

AS040



1	CP159 - Side Storage Panel,	1
2	CP141 - Door, Side Storage Panel	1
3	GG112 - Hinge, 63 mm	2
4	GT199 - M5 x 16 countersunk socket screw	6
5	GT193 - M5 x 16 button head screw	6
6	GW008 - M5 Flat Washer	0
7	GN006 - M5 Locknut - Nylon	6
8	GG204 - Tailgate Lock	1
9	GG167 - Body Trim, 1.2 metres	1
10	AD039 - Hinge Catch	1
11	GT075 - M5 x 12 Hex Screw	2
12	CP142 - Panel, Storage Retaining	1
13	GT143 - Poppet Fastener	6
15	GG034 - Restraining Cable	1
16	GG078 - Washer - top hat	2
17	GT136 - M5 x 20 Button Head Screw	2

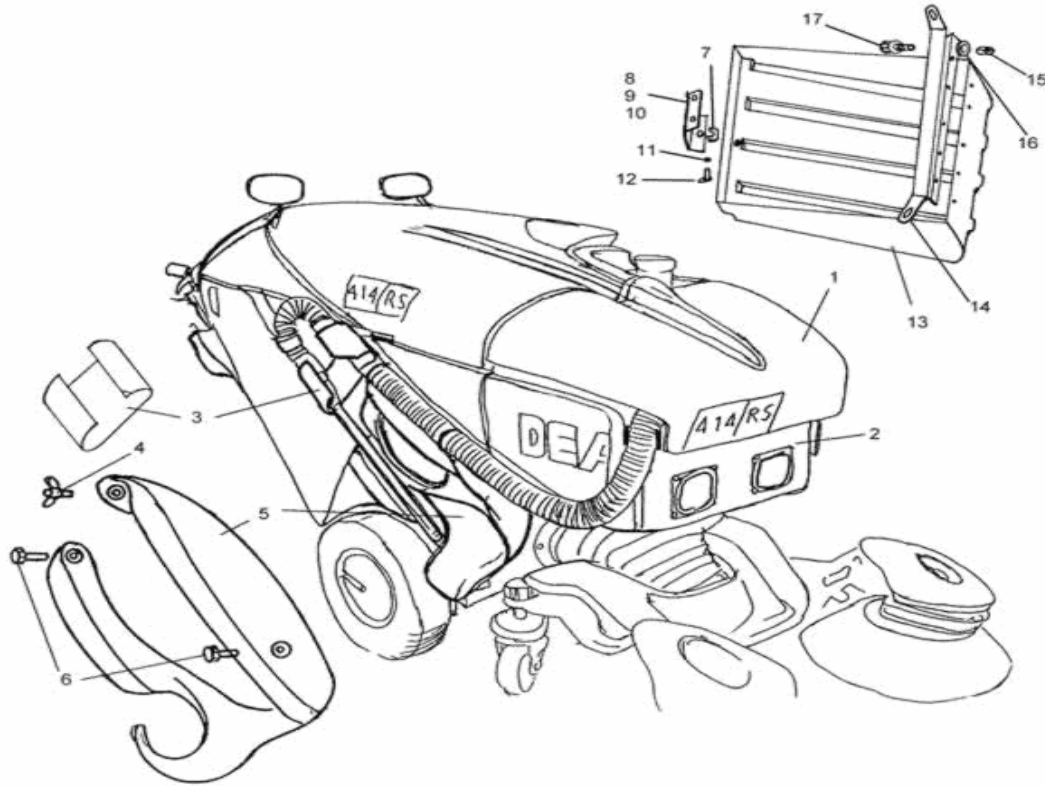
DEA/ CSA Option - Body Panels

Model: 424HS

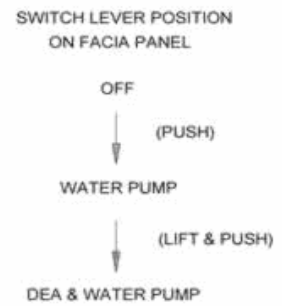
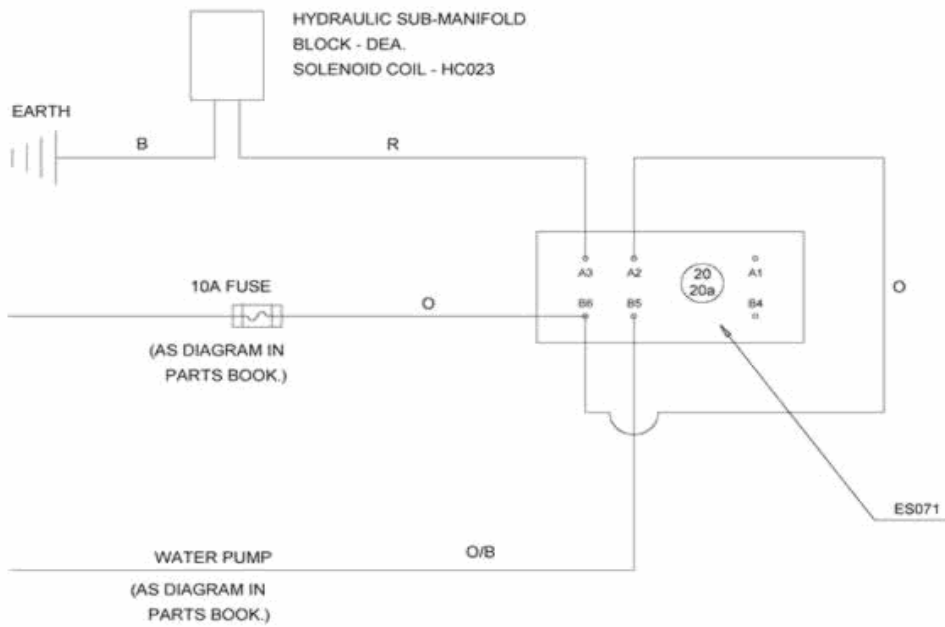
From CIN: 1 To CIN: 999

Drawing: AS046-9a Revision:

AS046



1	CP118 - Front Box Lid, DEA	1
1a	CP161 - Front Box Lid HS/TR DEA (Indicators)	1
2	CP086 - Headlight Panel	1
3	AW110 - Hose bracket (for DEA / CSA)	1
4	GG125 - Screw, wing type	1
5	CP160 - Lance Storage Cover, HS DEA	1
6	GT193 - M5 x 16 button head screw	2



NOTE
 THE WATER PUMP SINGLE POLE SWITCH
 USED ON A STANDARD MACHINE IS
 REPLACED WITH A DOUBLE POLE SWITCH
 C/W LOCKING DETAIL. THE WIRING DETAIL
 ARE SHOWN ABOVE.



72	ES134 - Bulb for Turn Signal Indicator (Panel	1
73	ES154 - Indicator Switch	1
74	ES153 - Switch - lights	1
75	ES151 - Flasher Unit Indicator Warning	1
75	ES151 - Flasher Unit Indicator Warning	1
76	ES156 - Horn button	1
78	ES127 - Front Turn Signal Light (424HS)	2
78a	ES133 - Turn Signal Bulb	2
79	ES147 - Rear Light / Turn Signal (424HS)	2
79a	ES155 - Rear Light (424TR)	2
79b	ES150 - Light Bulb (Rear light 424TR, 424HS)	2
79c	ES133 - Turn Signal Bulb	2
81	EW116 - Wiring Loom, Ancillary Hydraulic Blo	1
83	EW117 - Wiring Loom, TR/HS with indicators	1
87	ES159 - Switch - high/lo speed or DEA (424 Se	1
88	EH023 - Hourmeter (414 from CIN 117) and all	1

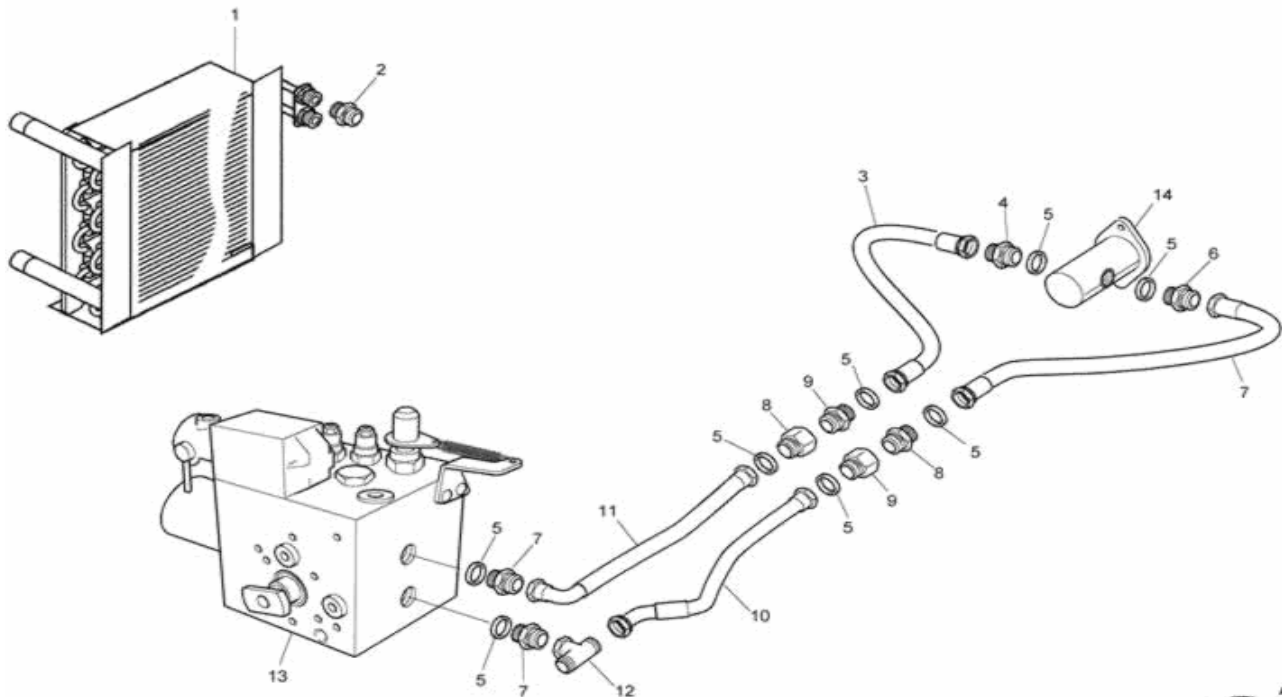
DEA/ CSA Option - Hydraulic Drive

Model: 424HS

From CIN: 1 To CIN: 999

Drawing: AS066-9a Revision:

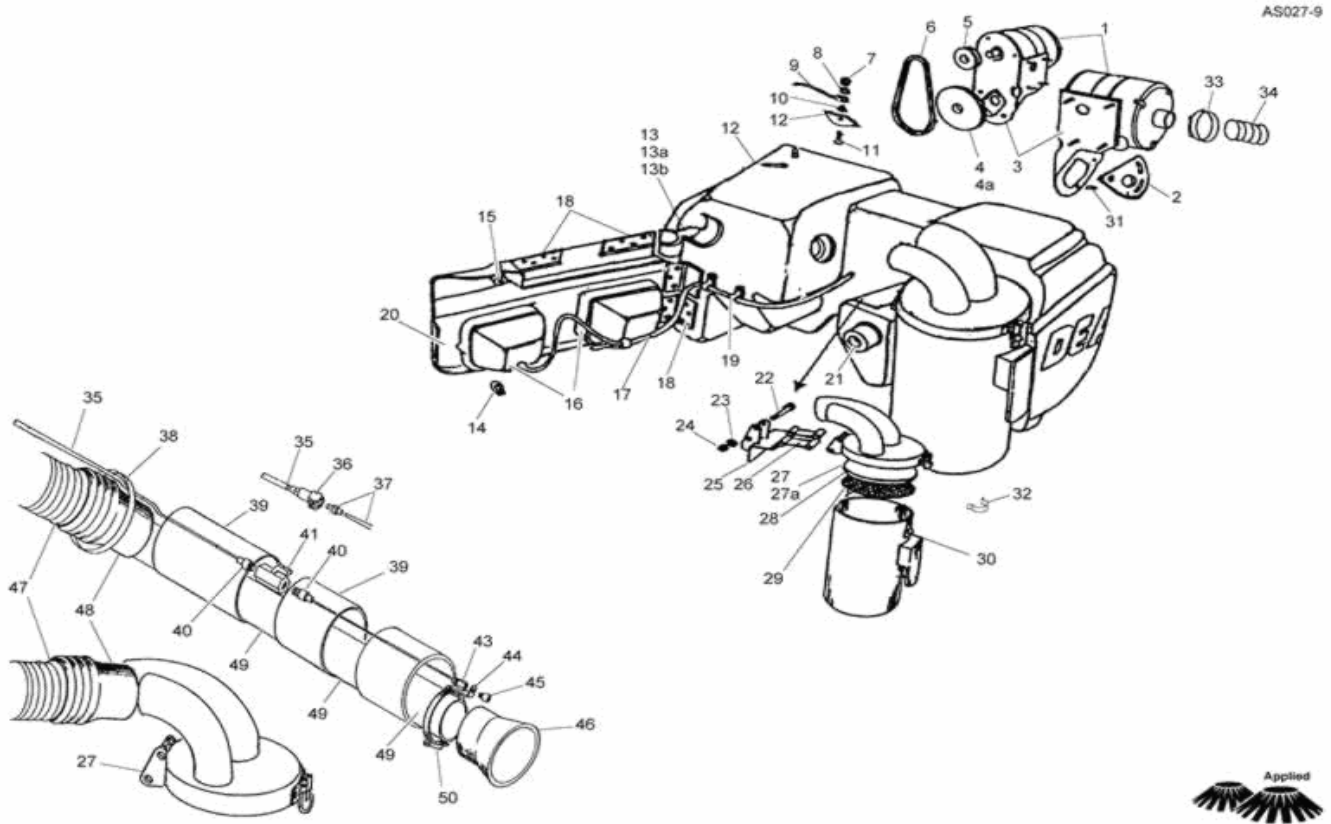
AS066-9



1	PC082 - Radiator / Oil Cooler Assy.	1
2	HF007 - Coupling 3/8	1
3	HJ077 - Hose Assy, 1/4	1
4	HF042 - Hydraulic Adaptor Coupling - 3/8 Male	1
5	HF010 - Hydraulic Bonded Seal - 3/8 BSP (16mm)	8
6	HF006 - Hydraulic Stud Coupling - 3/8 Male to	1
7	HJ074 - Hose Assy. 3/8	1
8	HF054 - Hydraulic Quick-Release Coupling - Fe	2
9	HF053 - Hydraulic Quick Release Coupling - Ma	2
10	HJ135 - Hose Hyd. 3/8 Q/R / block T	1
11	HJ133 - Hose hyd. 1/4 block dea / q/r	1
12	HF072 - Coupling Tee 3/8	1
13	HC098 - Hydraulic Block - main	1
14	HM026 - Hydraulic Motor	1
15	HV027 - Solenoid Valve with coil - DEA	1

DEA/ CSA Option - Principal Components

Model: 424HS
 From CIN: 1 To CIN: 999
 Drawing: AS027-9 Revision:

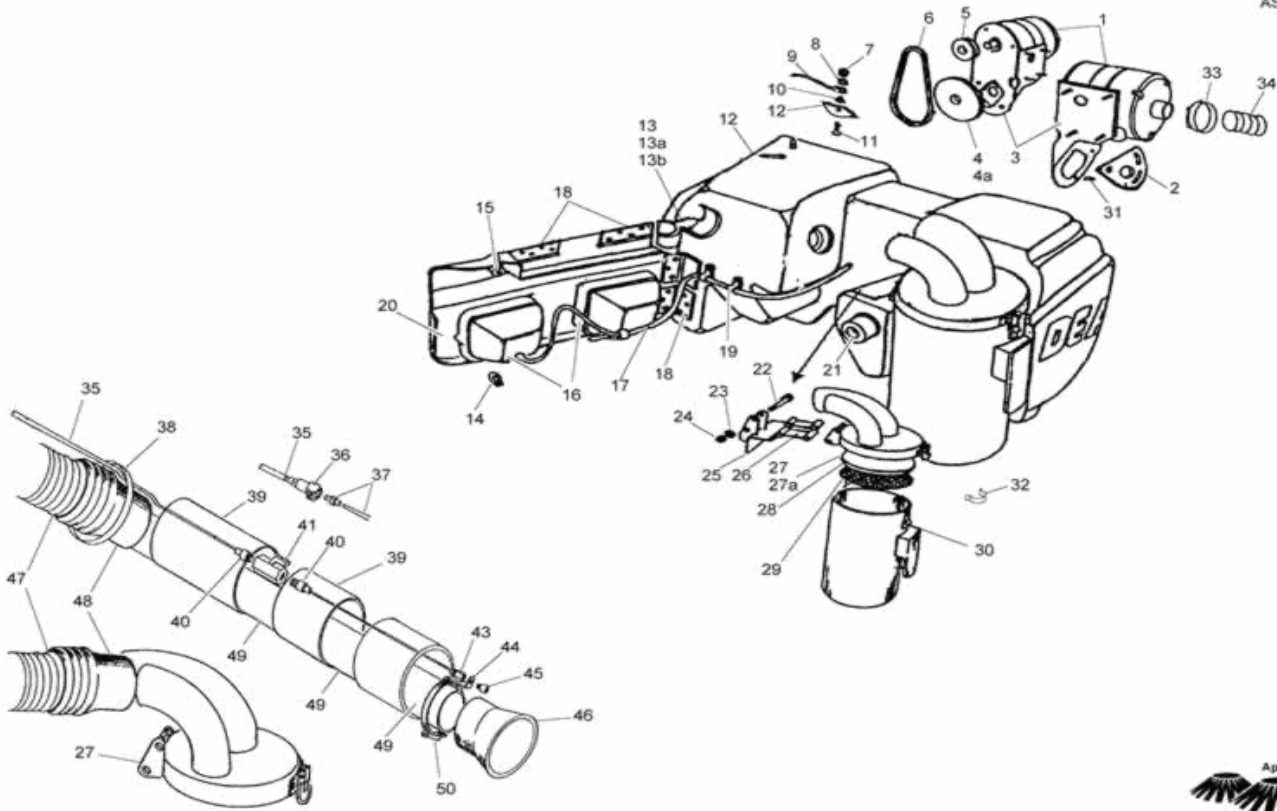


1	VF052 - Vacuum Fan, RSA	1	23	GW041 - M8 Washer Form A	4
2	CB287 - Bracket - hydraulic motor mounting	1	24	GN004 - M8 Locknut - Nylon	4
3	CB285 - Bracket	1	25	AD030 - Bracket	1
4	TC013 - Pulley, large	1	26	CB276 - Link Arm	2
5	TC010 - Pulley, small	1	27a	AD038 - Lid Assembly, DEA/CSA	1
6	TC011 - Drive Belt	1	28	AD025 - Filter	1
7	GN006 - M5 Locknut - Nylon	2	29	AD029 - Seal	1
8	GW008 - M5 Flat Washer	2	30	CB353 - Canister - large (440mm)	1
9	GG034 - Restraining Cable	1	31	GB023 - Nylon Boss	1
10	GG078 - Washer - top hat	2	32	AD037 - Spring Retainer	1
11	GT136 - M5 x 20 Button Head Screw	1	33	GG123 - Hose Clamp (55 to 70 mm)	1
12	CP116 - DEA/CSA Mounting Moulding	1	34	AE062 - Hose - suction pump to canister	1
13a	GN011 - M6 Locknut - Nylon	2	35	WA040 - Tubing - Nylon - 6mm outside diameter	0
13b	GW031 - Washer M6 Form C	2	36	WP134 - Coupling - Quick Release - Female	1
14	ES032 - Bulb 12V 21W	2	37	WP135 - Coupling - Quick Release - Male	1
15	GG033 - Door Stop - male	1	39	GM125 - Heat shrink, 45 mm	2
16	ES047 - Light - front (414RS, 424TR, 424HS)	2	40	WP096 - Male Stud Coupling 1/4	2
17	EW039 - Wiring Loom for front lights	1	41	WP131 - Valve, on/off	1
18	GG112 - Hinge, 63 mm	4	42	GM126 - Heat shrink, 75 mm	1
20	CP086 - Headlight Panel	1	43	WP094 - Female Stud Coupling 1/4	1
21	GG044 - Door Stop - female	1	44	CB258 - Bracket	1
22	GT067 - M8 x 70 Bolt	4	45	WP132 - Water Nozzle	1

DEA/ CSA Option - Principal Components

Model: 424HS
 From CIN: 1 To CIN: 999
 Drawing: AS027-9 Revision:

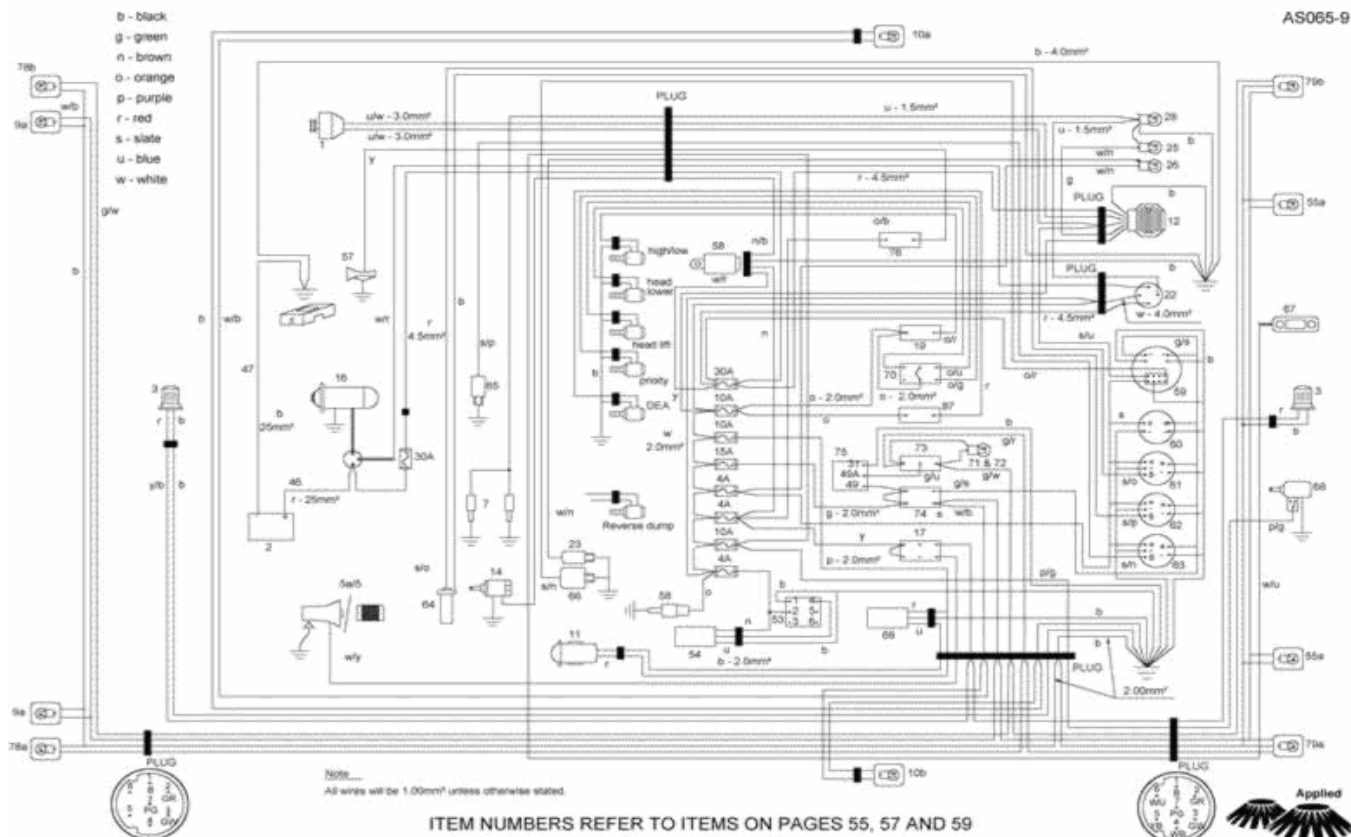
AS027-9



46	AW111 - Suction nozzle(for CSA/DEA)	1
47	AE063 - Suction Hose - DEA / CSA	1
48	AW112 - Threaded Cuff (for DEA/CSA)	2
49	AE064 - Lance Tube	1
50	GG123 - Hose Clamp (55 to 70 mm)	1

Electrical (424 Models)

Model: 424HS
 From CIN: 1 To CIN: 999
 Drawing: AS065-9 Revision:



ITEM NUMBERS REFER TO ITEMS ON PAGES 55, 57 AND 59

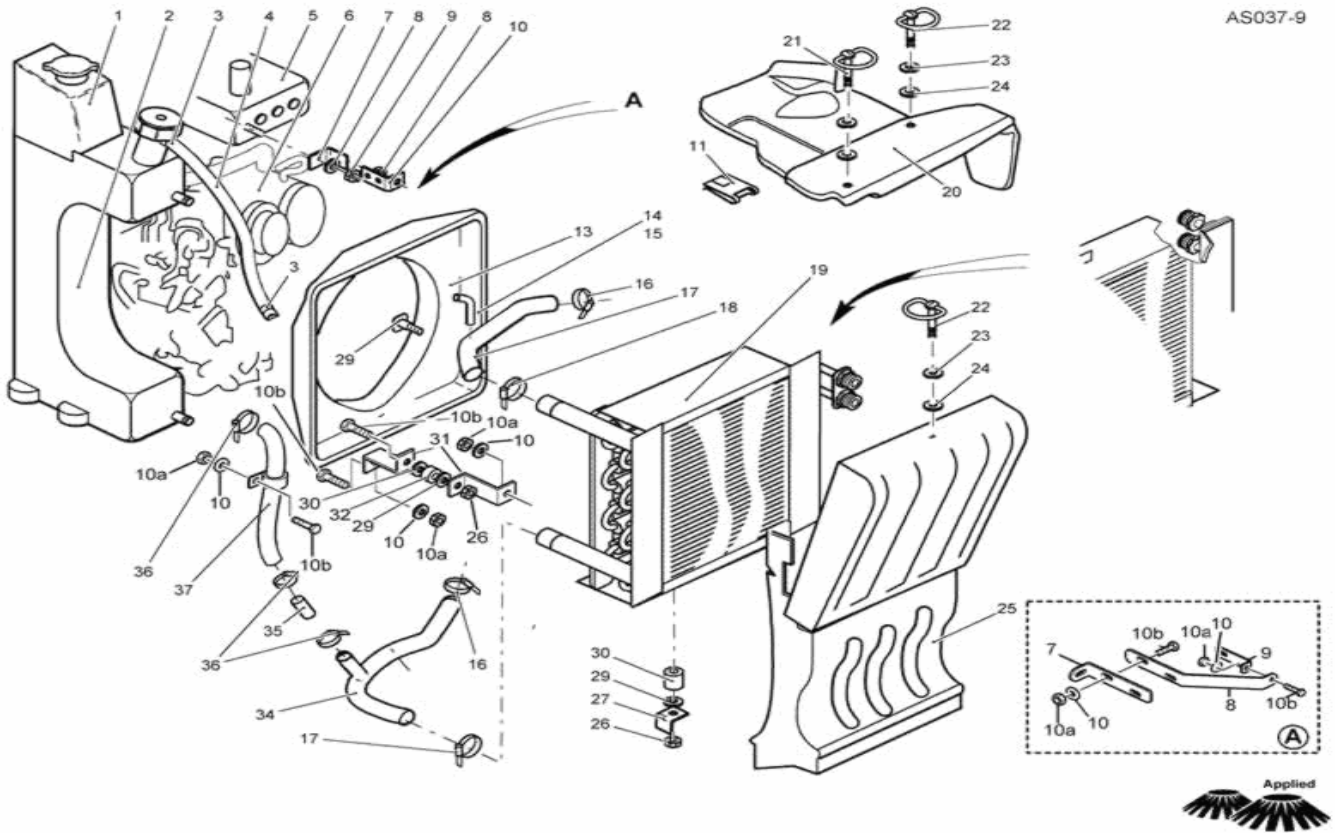
1	PD009 - Alternator	1	46	ET034 - Battery Cable - positive	1
2	EM009 - Battery	1	47	ET035 - Battery Cable - negative	1
3	ES123 - Beacon Assembly	1	53	EH010 - Odometer (calibrated in miles)	1
5	ES038 - Audible Beeper - Horn	1	53a	EH011 - Odometer (calibrated in kilometres)	1
5a	ES051 - Voice Box	1	54	EH012 - Sensor for odometer	1
7	PD059 - Glow Plug	2	55a	ES150 - Light Bulb (Rear light 424TR, 424HS)	2
9a	ES047 - Light - front (414RS, 424TR, 424HS)	2	57	ES157 - Horn	1
10a	ES050 - Rear Light	2	58	ES124 - Diode - Voltage Suppressor	1
10b	ES050 - Rear Light	2	59	EH017 - Tachometer with hourmeter (424HS)	1
12	PD245 - Rectifier / Regulator - Heavy Duty	1	59a	EH023 - Hourmeter (414 from CIN 117) and all	1
14	PD031 - Fuel Stop Solenoid	1	61	EH018 - Fuel Gauge	1
16	PD008 - Starter Motor	1	62	EH015 - Temperature Gauge	1
17	ES009 - Switch - Double Pole - Three Position	1	65	EH016 - Temperature Sender	1
19	ES001 - Switch - Single Pole - Two Position	1	66	EH021 - Oil Pressure Sender	1
22	PD257 - Ignition Switch (Cobo)	1	67	ES149 - Light for number plate (424 Series)	1
23	PD005 - Switch, low oil pressure	1	68	EC007 - Wiper Motor	1
24	PD030 - Timer	1	69	ES158 - Water Controller	1
25	ES018 - Warning Light - Red	1	70	ES152 - Switch - front head lift/lower	1
26	ES018 - Warning Light - Red	1	71	ES130 - Warning Light, Amber	1
28	ES017 - Warning Light - Amber	1	72	ES134 - Bulb for Turn Signal Indicator (Panel	1
30	ES181 - Beacon (424 Series rear mounted)	1	73	ES154 - Indicator Switch	1
40	EW141 - Main Wiring Loom (trivex facia)	1	74	ES153 - Switch - lights	1

Engine Cooling System (from CIN 98)

Model: 424HS

From CIN: 98 To CIN: 999

Drawing: AS037-9 Revision:



This drawing is for 400 Series machines from CIN 98 onwards that use a combined radiator/oil cooler. For older Green Machines up to the end of CIN 97 that used a radiator with separate oil cooler please see drawing AS036.

1	PC042 - Header / Radiator Expansion Tank	1	20	PC078 - Top Cover, engine	1
2	PG039 - Diesel Tank	1	21	GG048 - Ring Head Stud - 14 mm	1
3	GG045 - Hose Clamp (16mm)	2	22	GG110 - Ring Head Stud - 17 mm	2
4	PG030 - Fuel Pipe	1	23	GG055 - Plastic Washer (6mm)	3
5	HT020 - Hydraulic Tank RS/S2D/TR	1	24	GG041 - Retainer Washer - steel	3
5a	HT030 - Hydraulic Tank HS	1	25	PC057 - Radiator Duct (from CIN 98)	1
6	PD003 - Engine Assembly Kubota Z-482E	1	26	GN019 - M10 Locknut - Nylon	3
7	CB091 - Bracket - hydraulic tank to fan cowl	1	27	CB336 - Radiator Mounting Bracket - Left Hand	1
8	CB339 - Bracket	1	28	CB143 - Bracket - Radiator Mounting - Right	1
9	CB130 - Bracket - radiator to engine cover	1	29	GW027 - Dished Washer	3
10	GW038 - M6 Flat Washer	7	30	GG080 - Bushing - rubber - with spiggot	2
10a	GN011 - M6 Locknut - Nylon	7	31	CB340 - Bracket	2
10b	GT135 - M6 x 16 Hex Screw	4	32	GG054 - Bush rubber bushing	1
11	GG042 - Slip on receptacle	3	34	PC060 - Hose, bottom radiator	1
13	PC058 - Fan Cowling	1	35	PC047 - Spigot, bottom radiator hose	1
14	PC024 - Elbow, top hose header tank	1	36	GG090 - Hose Clamp (17mm to 25mm)	3
15	GG077 - Hose Clamp (14mm to 22mm)	1	37	PC026 - Hose, header tank/radiator	1
16	GG064 - Hose Clamp (25mm to 35mm)	2	38	HF007 - Coupling 3/8	1
17	PC059 - Hose, top radiator/engine	1			
18	GG111 - Hose Clamp (45mm)	2			
19	PC082 - Radiator / Oil Cooler Assy.	1			

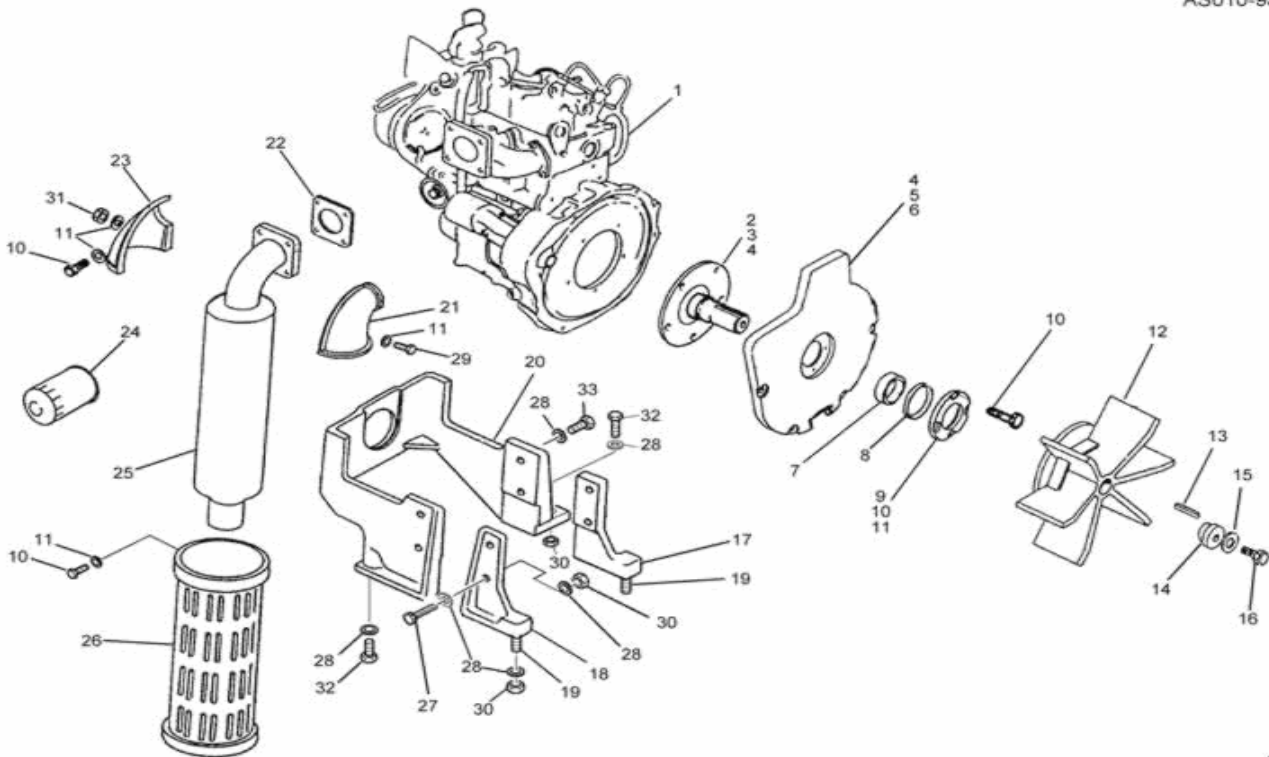
Engine, Exhaust & Impeller

Model: 424HS

From CIN: 1 To CIN: 999

Drawing: AS010-9a Revision:

AS010-9a



1	PD003 - Engine Assembly Kubota Z-482E	1	23	PD093 - Cover - exhaust flange, rear	1
2	VF022 - PTO Shaft (Impeller)	1	24	PD004 - Oil Filter	1
3	GT100 - M8 x 16 Hex Screw	5	25	PD036 - Exhaust Muffler	1
4	GW015 - M8 Split Lockwasher	1	26	PD051 - Exhaust cover	1
5	CA017 - Adaptor Plate	1	27	GT099 - M10 x 30 x 1.25 Fine Hex Screw	4
6	GT028 - M8 x 20 Setscrew	6	28	GW013 - M10 Flat Washer	8
7	GM065 - Journal for seal	1	29	GT019 - M6 x 30 Hex Screw	2
8	GM064 - Seal - teflon	1	30	GN019 - M10 Locknut - Nylon	8
9	CA045 - Seal Housing	1	31	GN011 - M6 Locknut - Nylon	2
10	GT090 - M6 x 12 Hex Screw	3	32	GT102 - M10 x 20 Hex Screw	2
11	GW031 - Washer M6 Form C	5	33	GT256 - M10 x 1.25 pitch x 20 lg. Hex Screw	4
12	VF025 - Impeller	1			
13	GG070 - Key for impeller	1			
14	GB013 - Boss, Impeller retention	1			
15	GG068 - Washer - disc spring (12.2 x 25mm)	2			
16	GT109 - Bolt for Impeller	1			
17	CA088 - Engine Mounting Left side (from CIN 1	1			
18	CA087 - Engine Mounting Right side (from CIN	1			
19	GT120 - M10 x 50 Stud	4			
20	CA100 - Rear Engine Mounting	1			
21	PD094 - Cover, exhaust flange, front	1			
22	PD049 - Gasket for Exhaust	1			

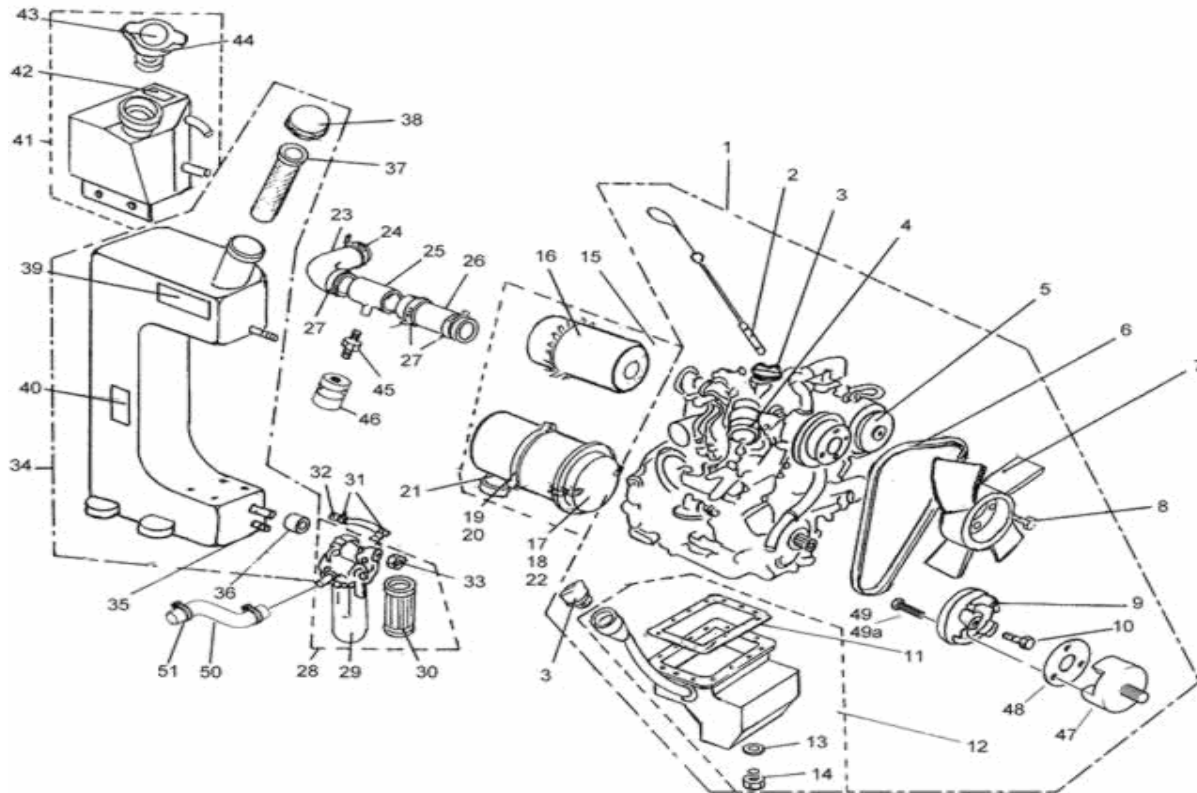
Engine, Fuel & Air System

Model: 424HS

From CIN: 1 To CIN: 999

Drawing: AS008-9a Revision:

AS008-9a

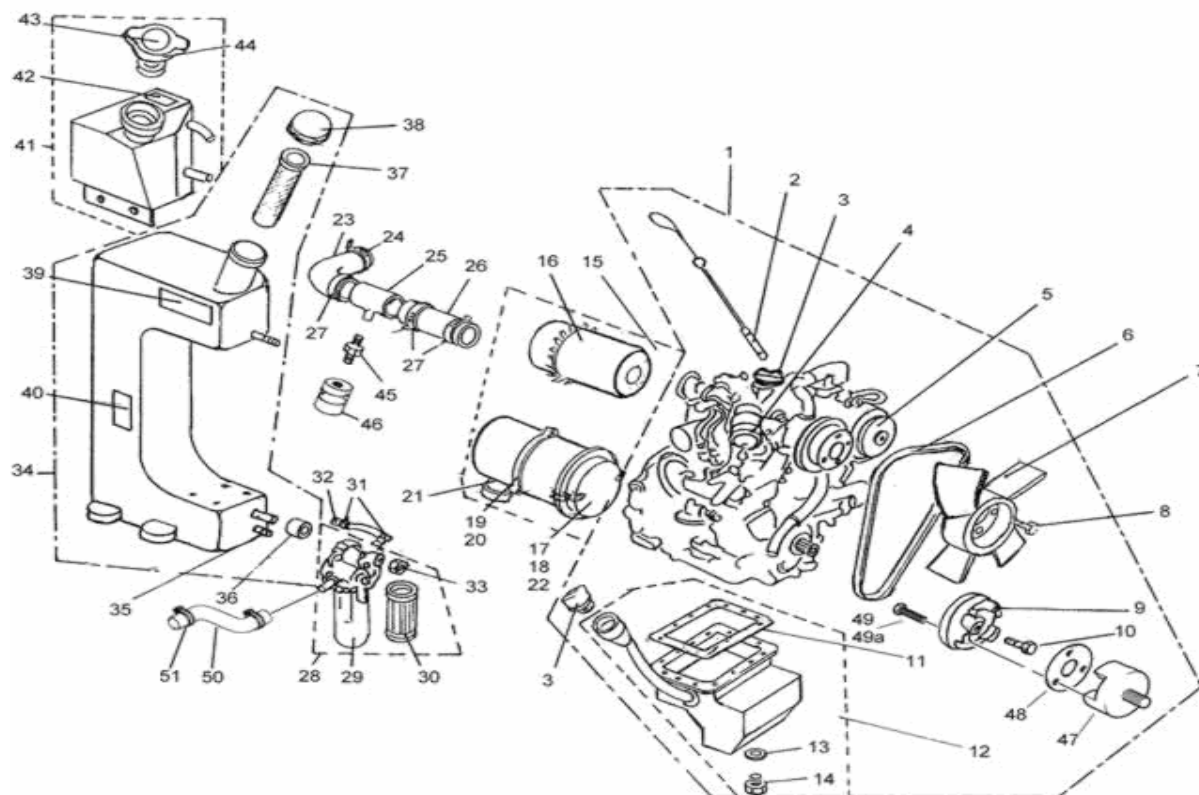


1	PD003 - Engine Assembly Kubota Z-482E	1	23	PD025 - Inlet pipe	1
2	PD018 - Oil Dipstick	1	24	GG076 - Hose Clamp (55mm)	1
3	PD039 - Oil Filler Cap	2	25	PD056 - Pipe - air cleaner	1
4	PD031 - Fuel Stop Solenoid	1	26	PC010 - Pipe Extension	1
5	PD009 - Alternator	1	27	GG066 - Hose Clamp (50mm)	3
6	PD011 - Fan Belt (up to CIN 86 only)	1	28	PD026 - Fuel Filter Assembly	1
6a	PD244 - Fan Belt (CIN 87+ only)	1	29	PD044 - Fuel Filter Bowl	1
7	PD189 - Fan - Engine Cooling (300mm diameter)	3	30	PD045 - Fuel Filter Element	1
9	PD223 - Pulley - Large, 114 dia fan drive	1	32	PD147 - Fuel Pipe, pump to filter	1
10	PD041 - Bolt - for pulley mounting	1	33	GN004 - M8 Locknut - Nylon	1
11	PD052 - Gasket, Oil Sump	1	34	PG039 - Diesel Tank	1
12	PD193 - Sump (oil pan)	1	35	WP036 - Hose Tail - 1/4 BSP -3/8 Hose	1
13	PD053 - Gasket, Sump Plug	1	36	GB019 - Spacer	1
14	PD069 - Sump Plug	1	37	PG027 - Fuel Tank Strainer	1
15	PD170 - Air Filter Assembly	1	38	PG038 - Fuel Tank Cap (screw-on style)	1
16	PD060 - Engine Air Filter	1	41	PC042 - Header / Radiator Expansion Tank	1
17	PD179 - Air Cleaner End Cap	1	44	PC003 - Cap, header tank	1
18	PD184 - Air Cleaner Cap (Inner)	1	45	ES099 - Nipple for filter minder	1
19	PD024 - Air cleaner band	1	46	ES098 - Filter Minder - unswitched	1
20	PD050 - Rubber - air cleaner band	1	47	TC001 - Drive Coupling	1
21	PD228 - Strainer - Air Cleaner Intake	1	48	TC014 - Spacer, Drive coupling	1
22	PD176 - Sealing O- Ring - Air Cleaner	1	49	GT168 - Capscrew, skt hd. M6 x 30	3

Engine, Fuel & Air System

Model: 424HS
From CIN: 1 To CIN: 999
Drawing: AS008-9a Revision:

AS008-9a



50	PG030 - Fuel Pipe	1
51	GG045 - Hose Clamp (16mm)	2

Kubota Engine Parts

Model: 424HS
 From CIN: 1 To CIN: 999
 Drawing: ENGACCE Revision:



1	PD003 - Engine Assembly Kubota Z-482E	1	32	PD050 - Rubber - air cleaner band	1
2	PD004 - Oil Filter	1	33	PD051 - Exhaust cover	1
3	PD005 - Switch, low oil pressure	1	34	PD052 - Gasket, Oil Sump	1
4	PD245 - Rectifier / Regulator - Heavy Duty	1	35	PD053 - Gasket, Sump Plug	1
5	PD008 - Starter Motor	1	36	PD054 - Engine Workshop Manual	1
6	PD009 - Alternator	1	37	PD055 - Parts Manual- Kubota Z482	1
9	PD011 - Fan Belt (up to CIN 86 only)	1	38	PD056 - Pipe - air cleaner	1
12	PD013 - Fuel Lift Pump (Kubota)	1	39	PD057 - Gasket, Cylinder Head	1
13	PD015 - Water Pump (Kubota)	1	40	PD058 - Thermostat	1
14	PD018 - Oil Dipstick	1	41	PD059 - Glow Plug	1
16	PD024 - Air cleaner band	1	42	PD060 - Engine Air Filter	1
17	PD025 - Inlet pipe	1	43	PD061 - Fuel Injection Pump	1
18	PD026 - Fuel Filter Assembly	1	45	PD063 - Fuel Injector Nozzle Assembly	1
19	PD027 - Solenoid for starter motor	1	49	PD068 - Gasket - Oil Pump	1
22	PD030 - Timer	1	50	PD069 - Sump Plug	1
23	PD031 - Fuel Stop Solenoid	1	57	PD080 - Gasket	1
24	PD036 - Exhaust Muffler	1	61	PD086 - Washer with Rubber- for Air Filter	1
26	PD039 - Oil Filler Cap	1	62	PD087 - Butterfly Screw / Wing Bolt - for ai	1
27	PD041 - Bolt - for pulley mounting	1	65	PD093 - Cover - exhaust flange, rear	1
29	PD044 - Fuel Filter Bowl	1	66	PD094 - Cover, exhaust flange, front	1
30	PD045 - Fuel Filter Element	1	88	PD145 - Knurled Ring - for Fuel Filter	1
31	PD049 - Gasket for Exhaust	1	89	PD146 - O - ring for Fuel Filter - large	1

Kubota Engine Parts

Model: 424HS
 From CIN: 1 To CIN: 999
 Drawing: ENGACCE Revision:

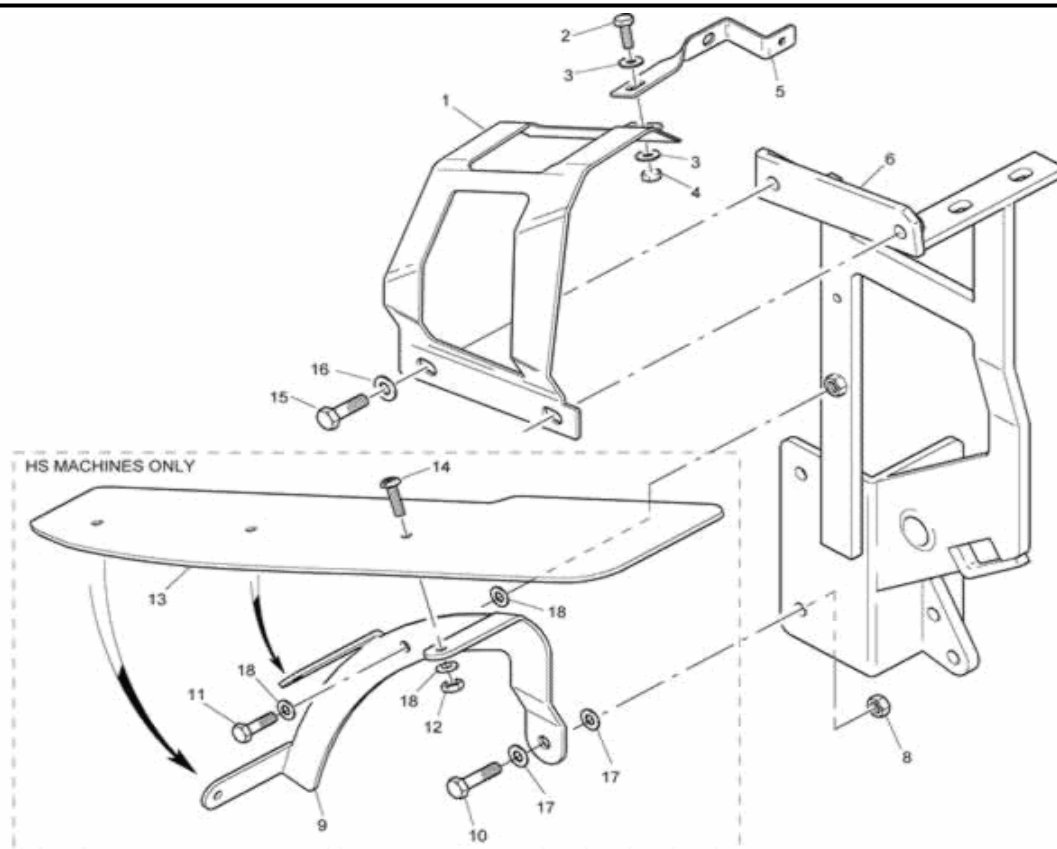


90	PD147 - Fuel Pipe, pump to filter	1
91	PD149 - Gasket, for Fuel Lift Pump	1
94	PD159 - Gasket (for Water Pump PD015)	1
95	PD160 - Gasket with Flange	1
97	PD162 - Ignition Switch (Kubota)	1
98	PD163 - Ignition Key (for Kubota switch)	1
99	PD164 - Connector set for rectifier	1
100	PD169 - Strainer - Air Cleaner Intake	1
101	PD170 - Air Filter Assembly	1
102	PD172 - Overflow pipe	1
103	PD173 - Washer - injector overflow	1
105	PD175 - Kubota Gasket Kit - Bottom	1
106	PD176 - Sealing O- Ring - Air Cleaner	1
108	PD178 - Temperature Sender Unit	1
109	PD179 - Air Cleaner End Cap	1
110	PD184 - Air Cleaner Cap (Inner)	1
112	PD187 - Water pipe	1
113	PD189 - Fan - Engine Cooling (300mm diameter)	1
114	PD193 - Sump (oil pan)	1
116	PD228 - Strainer - Air Cleaner Intake	1
117	PD223 - Pulley - Large, 114 dia fan drive	1
118	PD244 - Fan Belt (CIN 87+ only)	1

Air Filter Bracket

Model: **424HS**
 From CIN: **1** To CIN: **999**
 Drawing: **AS063-10** Revision:

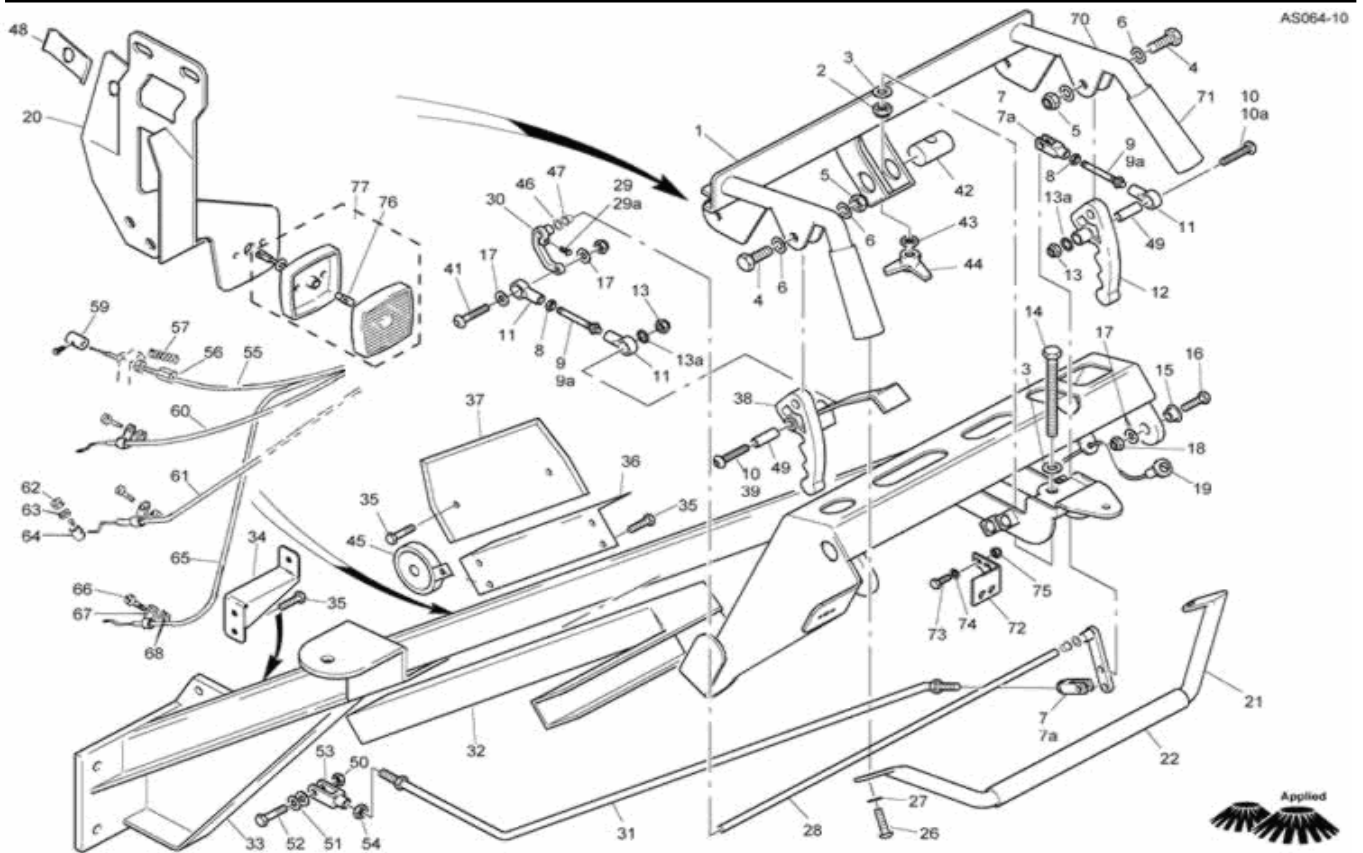
AS063-10



1	CB660 - Support Bracket	1
2	GT135 - M6 x 16 Hex Screw	1
3	GW031 - Washer M6 Form C	2
4	GN011 - M6 Locknut - Nylon	1
5	CB662 - Bracket, diesel tank/cover lock	1
6	CB624 - Bracket for Air Filter	1
8	GN004 - M8 Locknut - Nylon	1
9	CB657 - Bracket for Mudflap Mounting	1
10	GT049 - M8 x 25 Hex Screw	1
11	GT204 - M6 x 10 sockethead screw	1
12	GN011 - M6 Locknut - Nylon	3
13	MA553 - Mudguard	1
14	GT050 - M8 x 16 Button Head Screw	3
14a	GW031 - Washer M6 Form C	3
15	GT028 - M8 x 20 Setscrew	2
18	GW031 - Washer M6 Form C	5

Handle & Controls (from CIN 117)

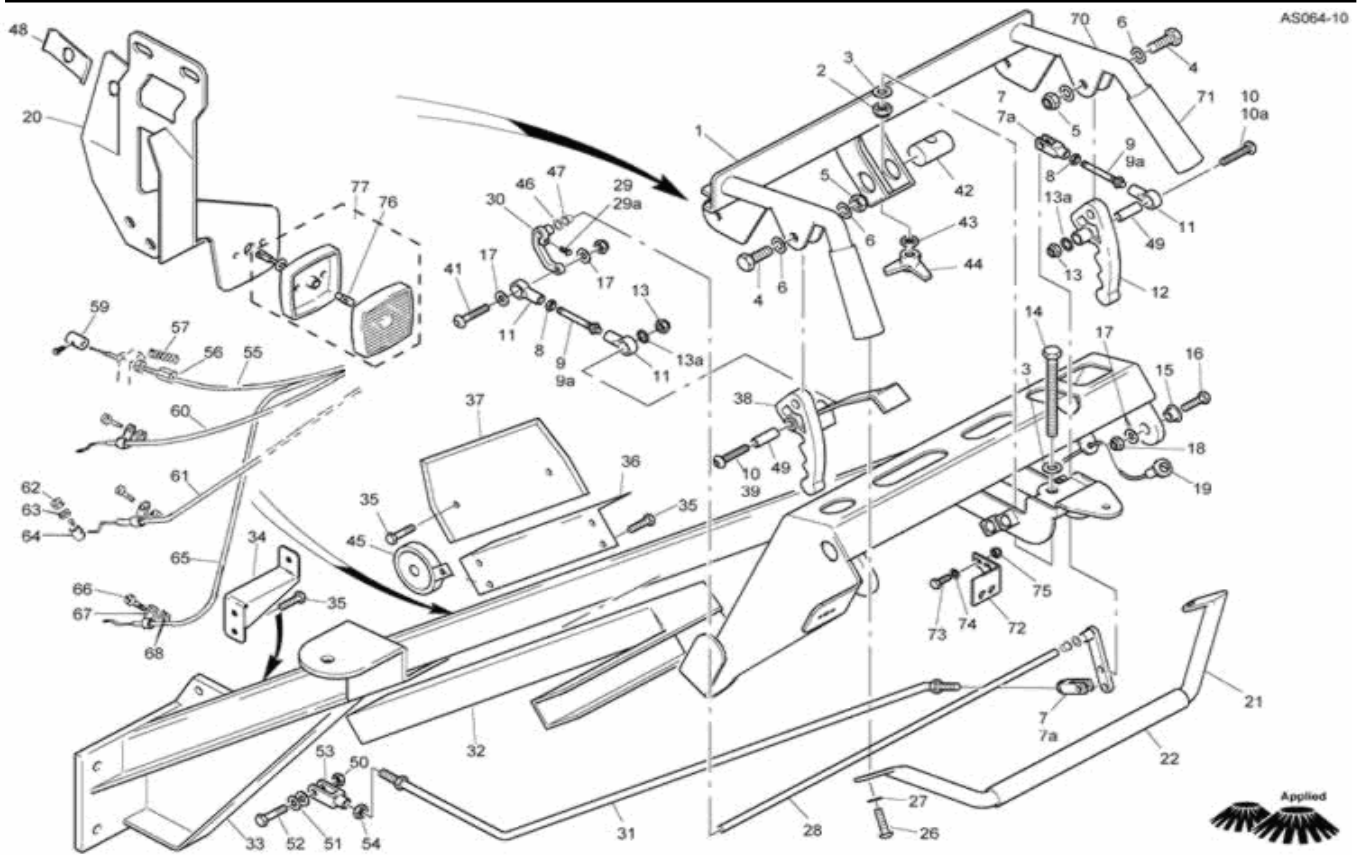
Model: 424HS
 From CIN: 117 To CIN: 999
 Drawing: AS064-10 Revision:



1	CB719 - Adjustable handlebars, HS/TR	1	20	CB626 - Bracket, side panel/rear light	1
2	GN020 - M12 Locknut - Nylon	1	21	CB526 - Crossbar, adjuster handle	1
3	GW066 - Nylon washer 24 o/d x 13 i/d x 2.5	2	22	GM211 - Crossbar Foam	1
4	GT092 - M8 x 40 Hex Screw	2	26	GW023 - M10 Split Lockwasher	2
5	GN043 - M8 locknut - nylon - stainless steel	2	27	GT086 - M10 x 25 Hex Screw	2
6	GW032 - M8 Flat Washer	4	28	CB614 - Connector Rod	1
7	BB006 - Clevis yoke	2	29	GT027 - M6 x 20 Hex Screw	1
7a	BB022 - Clevis Pin	2	30	CB573 - Connector, drive lever	1
8	GN021 - M8 Hex Full Nut	2	31	MA586 - Drive Linkage	1
9	CB652 - Connector Rod	2	32	CB580 - Cover, cable trough	1
9a	CB773 - Connector Rod, S2D/RS	2	33	CB634 - Support, main handlebar	1
10	GT092 - M8 x 40 Hex Screw	2	34	CB681 - Bracket, side panel - lower	1
11	BB108 - Rod End	3	35	GT203 - M6 x 12 Hex Flanged Sheet Metal Screw	0
12	CB668 - Drive Lever - Right Hand	1	36	CB670 - Bracket Mounting	1
13	GN027 - M8 Hex Jam Nut (Half-height)	2	37	CB672 - Guard, ancillary block	1
13a	GW032 - M8 Flat Washer	2	38	CB728 - Drive Lever - Left Hand	1
14	CB609 - Adjuster Screw	1	39	GT262 - M8 x 55 Button Head Screw	1
15	GB056 - DU Bush	2	41	GT097 - M8 x 35 button head screw st.st.	1
16	GT165 - M8 x 60 Hex Screw	1	42	CB648 - Pivot Pin	1
17	GW041 - M8 Washer Form A	1	44	GG174 - Knob - Adjustable Handle	1
18	GN027 - M8 Hex Jam Nut (Half-height)	1	45	ES157 - Horn	1
19	BB058 - Cable - Manual Stop	1	46	HC122 - Scraper Seal	2

Handle & Controls (from CIN 117)

Model: 424HS
 From CIN: 117 To CIN: 999
 Drawing: AS064-10 Revision:



48	GG147 - Slip on receptacle	1	77	ES050 - Rear Light	2
49	CB710 - Bushing, handles	2			
53	BB093 - Connector	1			
55	BB109 - Flap Cable (414 from CIN117 and all 4	1			
56	GG179 - Adjuster	1			
57	BB029 - Spring (Flap Cable)	1			
59	NN107 - Cable clamp assembly	1			
60	BB110 - Brush Control Cable (414 from CIN 117	1			
61	BB058 - Cable - Manual Stop	1			
62	GN006 - M5 Locknut - Nylon	1			
63	GW008 - M5 Flat Washer	1			
64	BB049 - Nipple - stop control cable	1			
65	BB111 - Throttle Cable (414 from CIN117 and a	1			
66	GT050 - M8 x 16 Button Head Screw	3			
67	BB045 - Bracket for cable (keyhole shape)	3			
68	GN011 - M6 Locknut - Nylon	3			
70	CB767 - Handlebar, fixed S2D/RS	1			
71	GM128 - Handle grip	2			
72	CB150 - Bracket for water valves	1			
73	GT159 - Screw, M6 x 16	1			
74	GW031 - Washer M6 Form C	1			
75	GN011 - M6 Locknut - Nylon	1			
76	ES053 - Bulb - festoon type - 12V 5W	2			

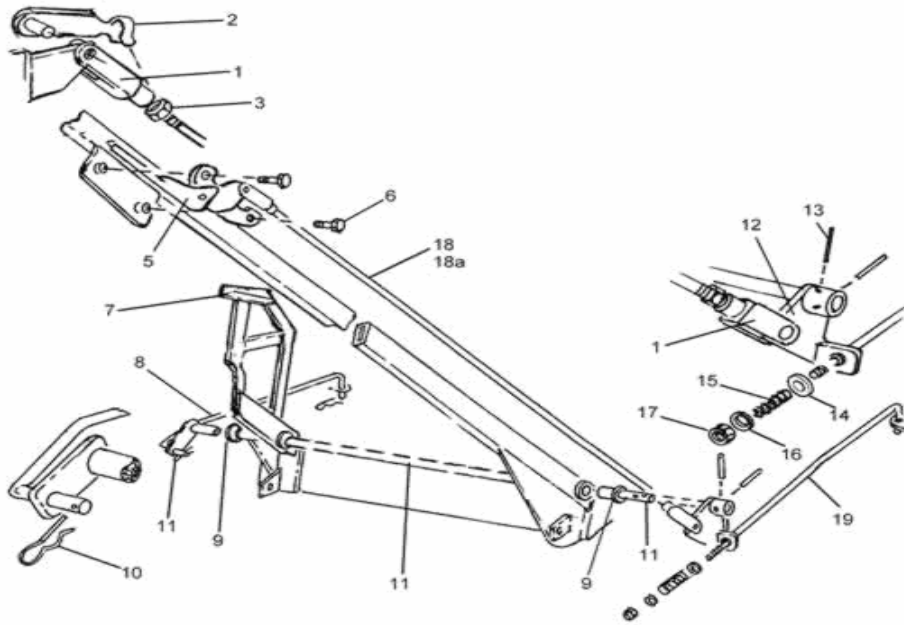
Parking Brake

Model: 424HS

From CIN: 1 To CIN: 999

Drawing: AS007-10 Revision:

AS007-10



1	BB006 - Clevis yoke	2
2	BB022 - Clevis Pin	2
3	GN027 - M8 Hex Jam Nut (Half-height)	2
5	MA121 - Lever for handbrake	1
6	GT028 - M8 x 20 Setscrew	2
7	CB624 - Bracket for Air Filter	1
8	MA191 - Brake Linkage (Left side)	1
9	MA123 - Bearing - Nylon	2
10	BB044 - R Pin	3
11	MA161 - Cross Shaft	1
12	MA163 - Segment Lever	1
15	MA158 - Spring	1
16	GW038 - M6 Flat Washer	1
17	GN011 - M6 Locknut - Nylon	1
18	MA828 - Brake Linkage	1
19	MA164 - Brake Linkage (Right side)	1

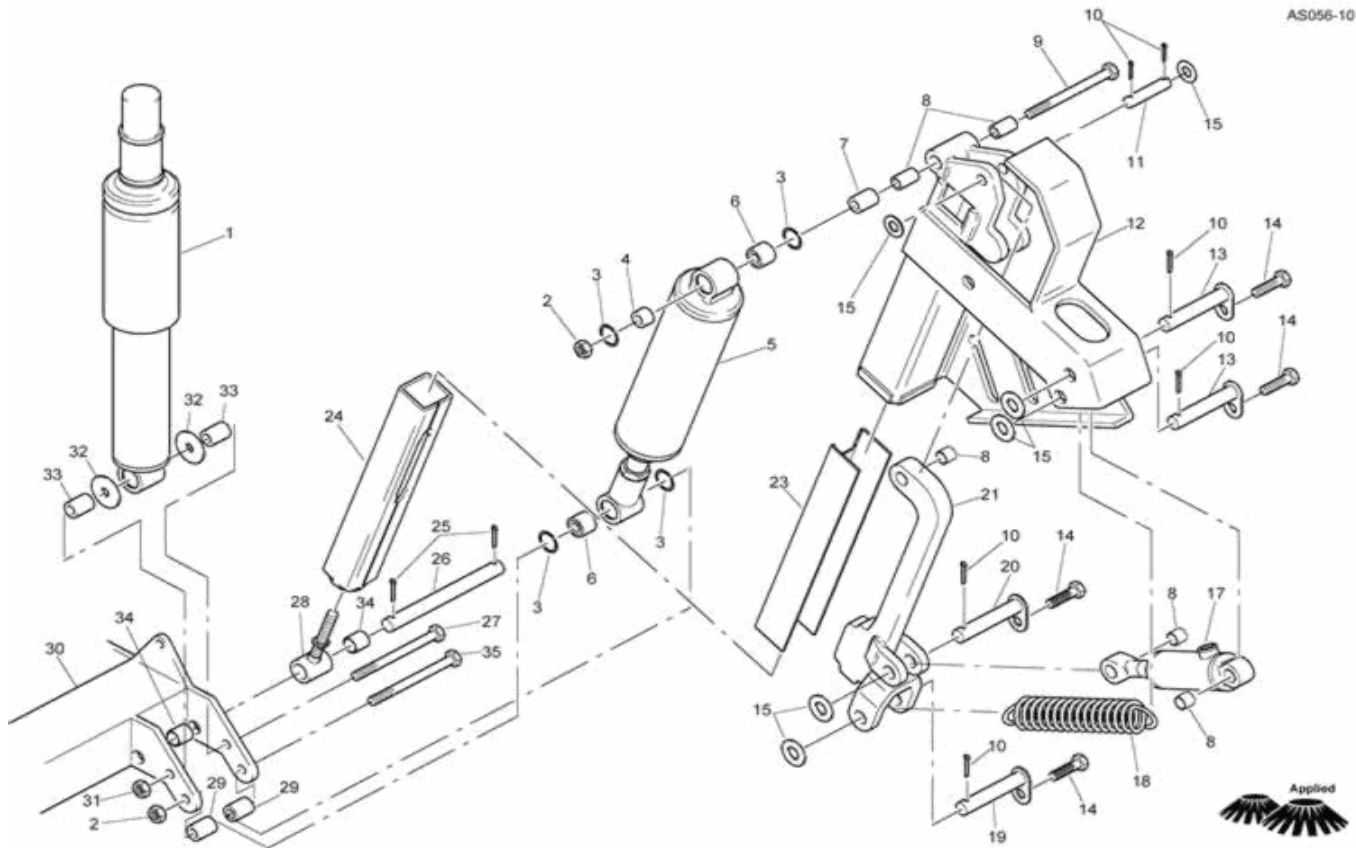
Pitch Lock (424HS)

Model: 424HS

From CIN: 1 To CIN: 999

Drawing: AS056-10 Revision:

AS056-10



1	MA056 - Shock Absorber Assy.	1	24	MA541 - Adjuster, Locking	1
1a	MA286 - Upper Bushing Kit - for shock absorber	1	25	GG105 - Cotter Pin (1/8 in x 1 in)	2
2	GN019 - M10 Locknut - Nylon	2	26	MA929 - Pin, Spring Strut Assembly	1
3	GM210 - Ring, internal snap	4	27	GT144 - M8 x 90 Hex Screw	1
4	MA684 - Spacer, top spring strut	1	28	MA546 - Adjuster Screw	1
5	MA571 - Spring Strut Assy.	1	29	MA685 - Spacer, bottom spring strut	2
6	HF085 - Bearing Pivot	2	30	MA913 - Tow Bar	1
7	MA683 - Spacer, spring strut top	1	31	GN004 - M8 Locknut - Nylon	1
8	GB047 - Bush DU, 10 x 12 x 10 lg.	2	32	MA218 - Spacer - Damper - Lower	2
9	GT158 - Bolt - hex head, M10 x 110	1	34	GB054 - DU Bush 16 i/d x 18 o/d x 20 lg	2
10	GG132 - Pin, Split - 3/32 x 3/4 - ST.ST.	6	35	GT144 - M8 x 90 Hex Screw	1
11	CC219 - Clevis Pin.	1			
12	MA527 - Bracket, Pitch-lock	1			
13	CC193 - Pivot Pin - cylinder anchor	2			
14	GT203 - M6 x 12 Hex Flanged Sheet Metal Screw	4			
15	GW041 - M8 Washer Form A	5			
17	HC126 - Hydraulic Cylinder - head lift	1			
18	GG180 - Extension Spring	1			
19	CC196 - Clevis Pin, pitch lock return	1			
20	MA391 - Clevis Pin	1			
21	MA534 - Locking Plate	1			
23	MA548 - Wear-sleeve, Pitch-lock	1			

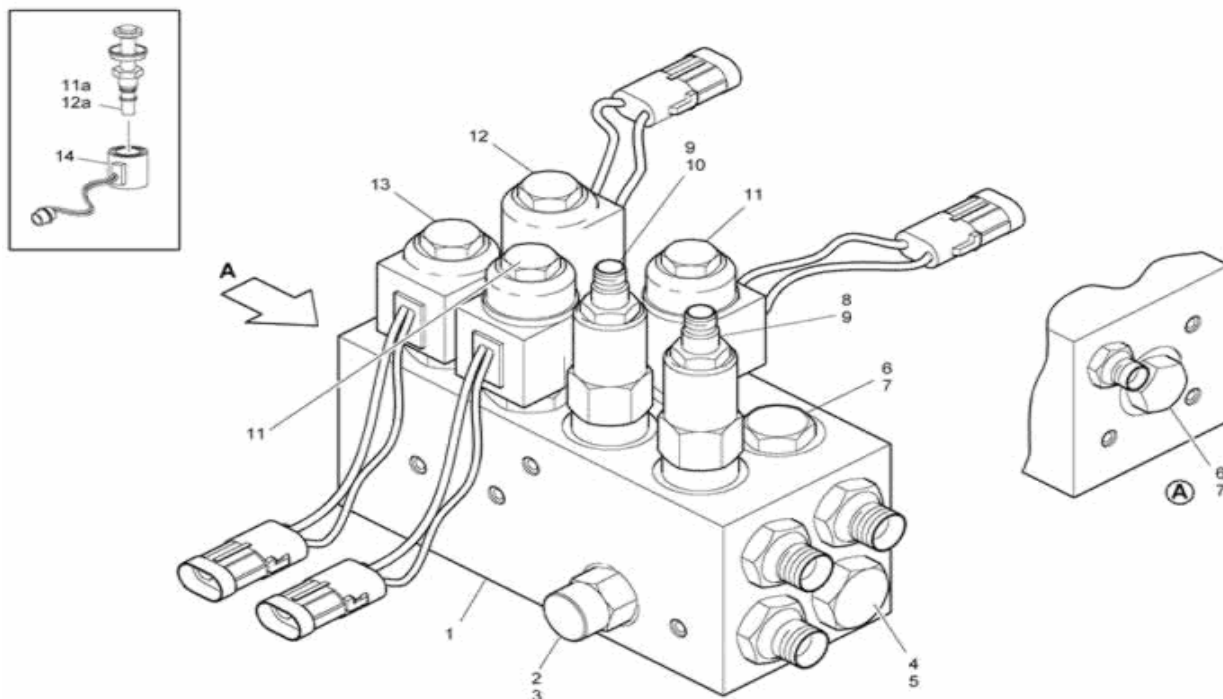
Hydraulic Ancillary Control Block (424HS)

Model: 424HS

From CIN: 1 To CIN: 999

Drawing: AS060-9 Revision:

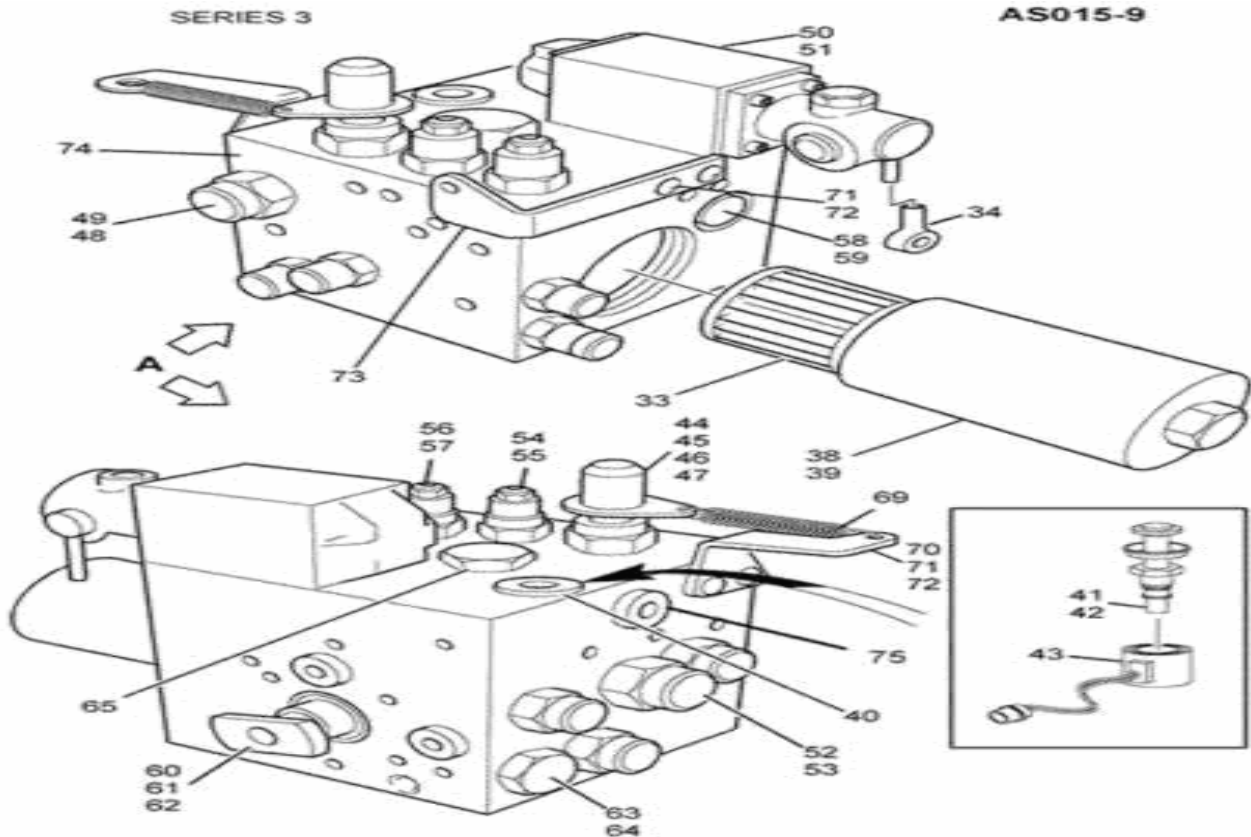
AS060-9



1	HC124 - Hydraulic Block - Ancillary	1
2	HV060 - Valve, Priority Flow Control	1
3	HV061 - Seal Kit for HV060	1
4	HV077 - Filter Cartridge	1
6	HV062 - Valve, Check	2
7	HV045 - Seal Kit	2
8	HV067 - Valve, main pressure relief	1
9	HV068 - Seal Kit	2
10	HV086 - Valve, priority bypass pressure regul	1
11	HV046 - Solenoid Valve - Reverse Override	2
11a	HV045 - Seal Kit	2
12	HV085 - Solenoid Valve, Nozzle Lower	1
12a	HV051 - Seal Kit	1
13	HV083 - Solenoid Valve - Nozzle lift	1
14	HV048 - Coil for solenoid valve	4

Hydraulic Control Block (Series 3 from CIN 108)

Model: 424HS
 From CIN: 108 To CIN: 999
 Drawing: AS015-9 Revision:



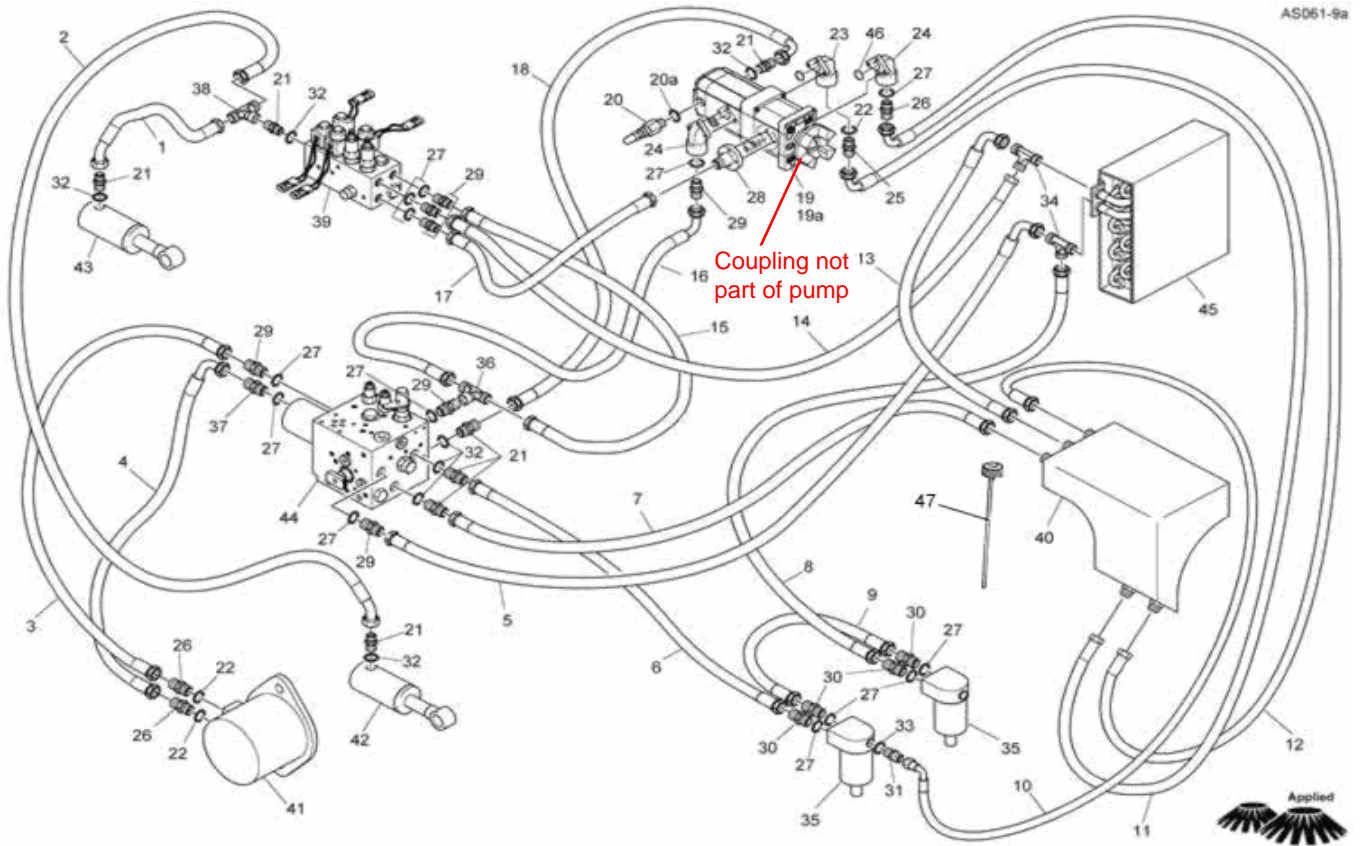
33	HC058 - Filter Element	1	58	HV062 - Valve, Check	1
34	BB007 - Rose Bearing	1	59	HV045 - Seal Kit	1
38	HC062 - Filter Bowl	1	60	HV049 - Valve, Free-wheel Shutoff	1
39	HC097 - Seal Kit	1	61	HV051 - Seal Kit	1
40	HF071 - Plug - DEA Cavity	1	62	HV050 - Knob for HV049	1
41	HV027 - Solenoid Valve with coil - DEA	1	63	HV044 - Valve, Oil Cooler Bypass Check	1
42	HV030 - Seal Kit	1	64	HV045 - Seal Kit	1
43	HV029 - Coil for HV027	1	65	HF074 - Plug - Reverse Override	1
44	HV035 - Valve Rotary, brush speed	1	66	HV046 - Solenoid Valve - Reverse Override	1
45	HV037 - Orifice Disc	1	67	HV045 - Seal Kit	1
46	HV036 - Seal Kit	1	68	HV048 - Coil for solenoid valve	1
47	HV038 - Lever Arm Kit for HV035	1	69	GG160 - Spring	1
48	HV039 - Valve, priority flow	1	70	CB454 - Spring Anchor Bracket	1
49	HV040 - Seal Kit for HV039	1	71	GT075 - M5 x 12 Hex Screw	1
50	HV056 - Spool Valve - Open Center (Series 3)	1	72	GW008 - M5 Flat Washer	1
51	HC069 - Seal Kit	1	73	CB450 - Bracket, brush cable	1
52	HV060 - Valve, Priority Flow Control	1	74	HC095 - Hyd. Manifold assy, w/o rexroth	1
53	HV061 - Seal Kit for HV060	1			
54	HV042 - Valve, Reverse Counterbalance	1			
55	HV043 - Seal Kit	1			
56	HV041 - Valve, Forward Counterbalance	1			
57	HV043 - Seal Kit	1			

Hydraulic System (424HS)

Model: 424HS

From CIN: 108 To CIN: 999

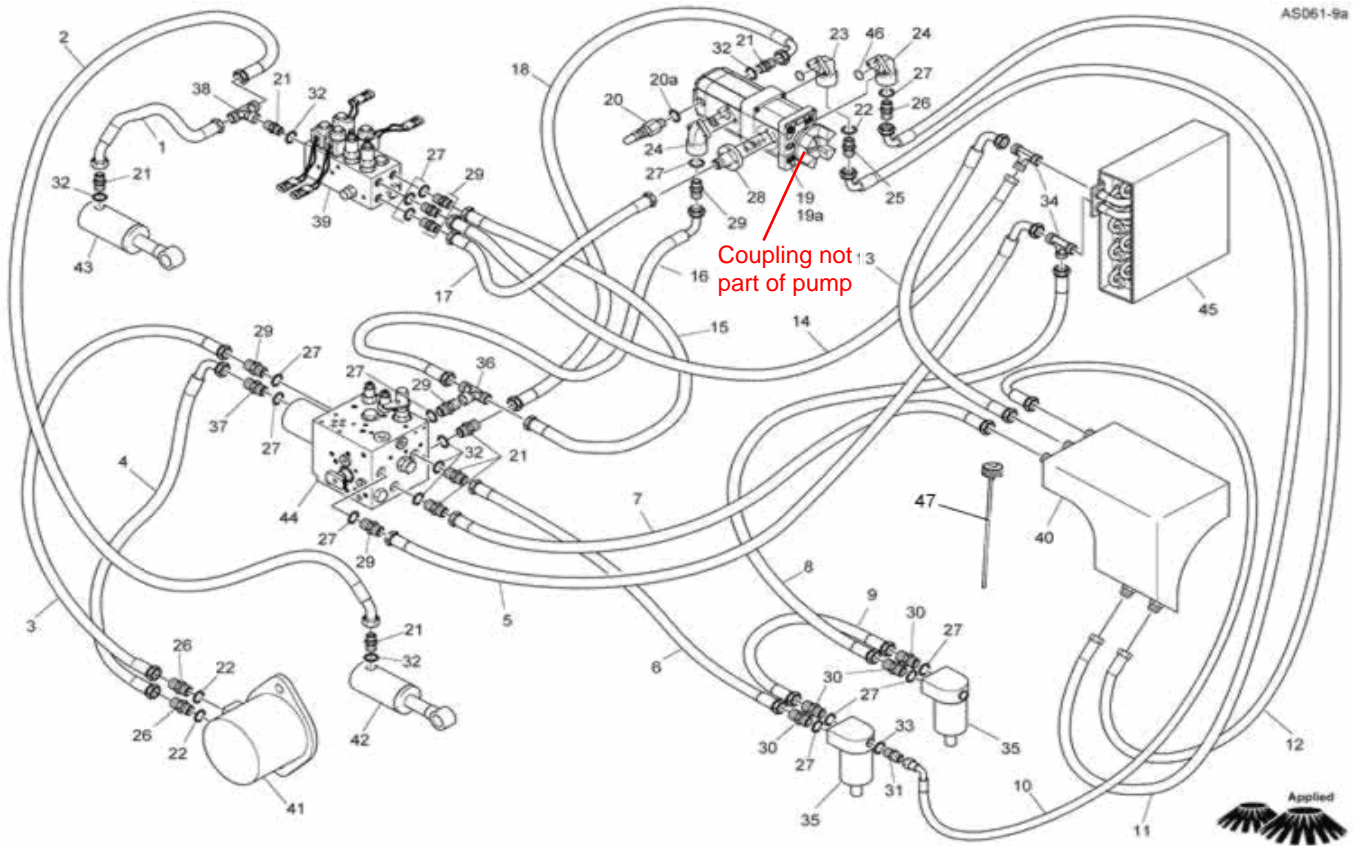
Drawing: AS061-9a Revision:



1	HJ155 - Hose Hyd. anc head / pitch cylinder	1	21	HF046 - Hydraulic Stud Coupling - 1/4 Male to	1
2	HJ154 - Hydraulic Hose	1	22	HF011 - Hydraulic Bonded Seal - 1/2 BSP (20mm)	1
3	HJ125 - Hydraulic Hose	1	23	HP010 - Elbow for Pump - 1/2 BSP (Series 3)	1
4	HJ124 - Hydraulic Hose	1	24	HP011 - Elbow for Pump - 3/8 BSP (Series 3)	2
5	HJ105 - Hydraulic Hose	1	25	HF036 - Hydraulic Adaptor Coupling - 3/4 Male	1
6	HJ047 - Hydraulic Hose - port BA to right bru	1	26	HF017 - Hydraulic Adaptor Coupling - 1/2 Male	1
7	HJ044 - Hydraulic Hose - port T to tank	1	27	HF010 - Hydraulic Bonded Seal - 3/8 BSP (16mm)	1
8	HJ130 - Hose Hyd. oil cooler /lh brush motor	1	28	HP018 - Coupling, straight adaptor 1/2	1
9	HJ046 - Hydraulic Hose - brush motor right to	1	29	HF006 - Hydraulic Stud Coupling - 3/8 Male to	1
10	HJ042 - Hydraulic Hose - bleed	1	30	HF042 - Hydraulic Adaptor Coupling - 3/8 Male	1
11	HJ146 - Hose Hyd. tank / primary pump	1	31	HF030 - Hydraulic Stud Coupling - 1/8 Male to	1
12	HJ147 - Hose Hyd. tank / pump secondary	1	32	HF044 - Hydraulic Bonded Seal - 1/4 BSP (12mm)	1
13	HJ105 - Hydraulic Hose	1	33	HF016 - Hydraulic Bonded Seal - 1/8 BSP (9mm)	1
14	HJ152 - Hydraulic Hose	1	34	HF049 - Coupling 3/8	2
15	HJ151 - Hydraulic Hose	1	35	HM005 - Hydraulic Motor - Brush Drive	2
16	HJ149 - Hose, hyd pump/block (p)	1	36	HF072 - Coupling Tee 3/8	1
17	HJ150 - Hydraulic Hose	1	37	HF005 - Coupling 3/8	1
18	HJ148 - Hose Hyd. hyd relief / block rd	1	38	HF084 - Coupling Tee 1/4	1
19	HP016 - Hydraulic Pump (424HS only)	1	39	HC124 - Hydraulic Block - Ancillary	1
19a	HP017 - Seal Kit	1	40	HT030 - Hydraulic Tank HS	1
20	HV065 - Pressure Relief Valve	1	41	HM029 - Hydraulic Drive Motor, T Type 60cc	1
20a	HV066 - Seal Kit	1	42	HC128 - Hydraulic Cylinder - pitch lock	1

Hydraulic System (424HS)

Model: 424HS
 From CIN: 108 To CIN: 999
 Drawing: AS061-9a Revision:



43	HC126 - Hydraulic Cylinder - head lift	1
44	HC098 - Hydraulic Block - main	1
45	PC082 - Radiator / Oil Cooler Assy.	1
46	HF055 - O Ring	4
47	HT011 - Hydraulic Filler Cap and Dipstick	1

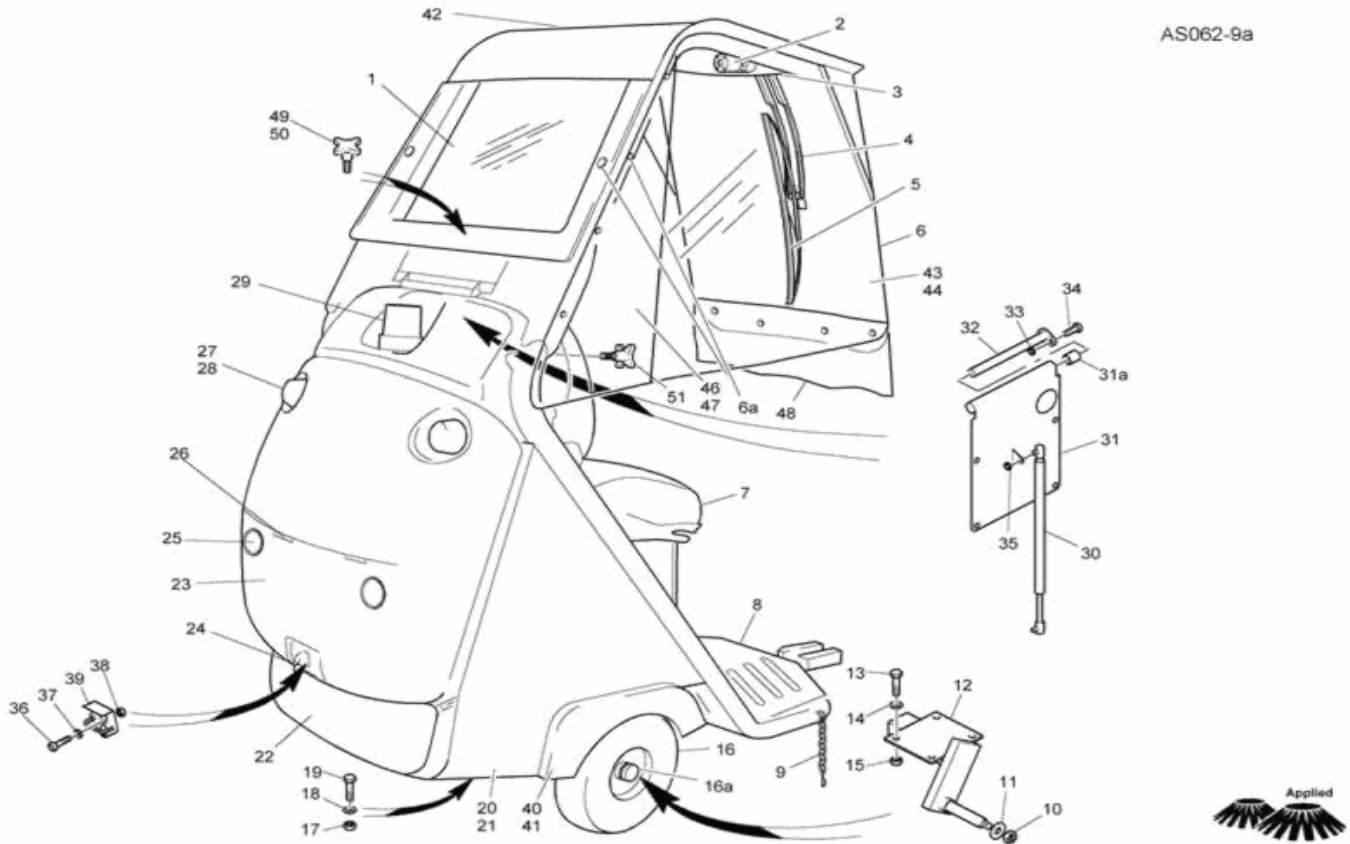
Cab Assembly (424HS & 424TR)

Model: 424HS

From CIN: 1 To CIN: 999

Drawing: AS062-9a Revision:

AS062-9a



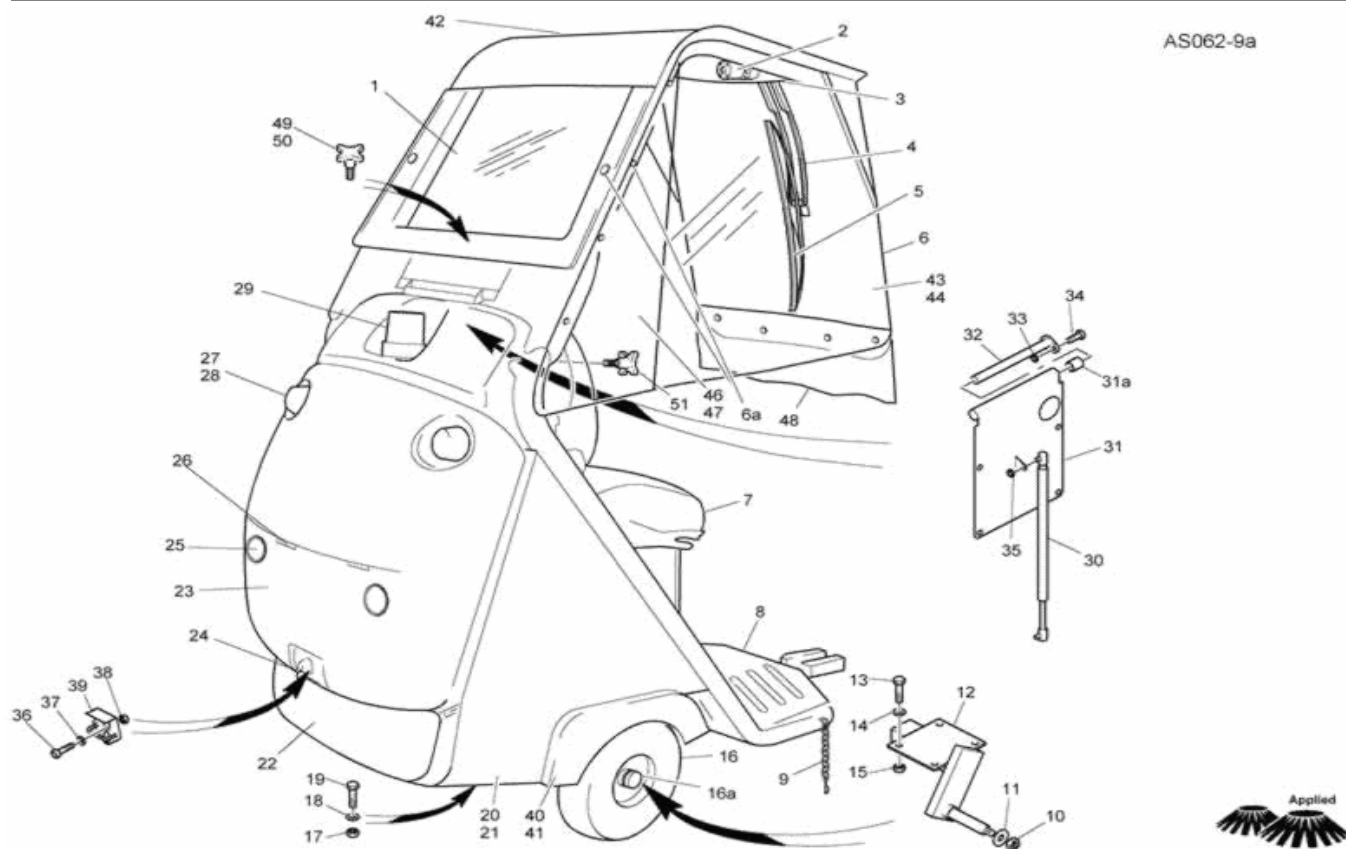
1	MA763 - Screen, rear	1	20	MA654 - Panel, Left Side	1
2	EC007 - Wiper Motor	1	21	MA656 - Panel, Right Side	1
2b	GB067 - Spacer, wiper motor	1	22	CP172 - Panel Closing mouldings	1
3	EC008 - Wiper Switch	1	23	CP171 - Tailgate moulding (424 Series)	1
4	EC009 - Arm for windshield wiper	1	23	CP171 - Tailgate moulding (424 Series)	1
5	EC010 - Blade for windshield wiper	1	24	GG204 - Tailgate Lock	1
6	MA761 - Windscreen	1	25	ES148 - Reflector	2
6a	GG221 - Rivet, plastic expansion - windscreen	2	26	ES149 - Light for number plate (424 Series)	2
7	MA787 - Seat, complete with slides	1	27	ES155 - Rear Light (424TR)	2
9	GG219 - Chain, Safety	1	27a	ES150 - Light Bulb (Rear light 424TR, 424HS)	2
10	GN053 - Nut - nyloc M12 x 1.25 x 12	2	28	ES147 - Rear Light / Turn Signal (424HS)	2
11	GW068 - Washer, Stub Axle	2	28a	ES133 - Turn Signal Bulb	2
12	MA888 - Indespension Units, stub axle	1	29	ES181 - Beacon (424 Series rear mounted)	1
13	GT054 - M8 x 20 Button Head Socket Screw	8	30	GG203 - Gas Strut	1
15	GN004 - M8 Locknut - Nylon	8	31	MA734 - Hinge Plate Assy.	1
16	TW036 - Rear Wheel/Tire(424TR/424HS) - Punctu	2	31a	GB060 - Bush	2
16a	TW030 - Bearing Hub Cap	2	32	GG200 - Pin, hinge assy.	1
16b	GN053 - Nut - nyloc M12 x 1.25 x 12	2	33	GN006 - M5 Locknut - Nylon	1
16c	GW068 - Washer, Stub Axle	2	34	GT136 - M5 x 20 Button Head Screw	1
17	GN011 - M6 Locknut - Nylon	7	36	GT111 - M6 x 20 Button Head Screw	2
18	GW031 - Washer M6 Form C	7	39	MA737 - Catch Lock	1
19	GT159 - Screw, M6 x 16	7	43	MA766 - Side Screen Assembly - Right Side	1

Cab Assembly (424HS & 424TR)

Model: 424HS

From CIN: 1 To CIN: 999

Drawing: AS062-9a Revision:



44	MA767 - Side Screen Assembly - Left Side	1
45	GB027 - Bush, door hinge bar	2
46	MA910 - 1/4 Panel assy - Right Side	1
47	MA911 - 1/4 Panel Assembly - Left Side	1
48	MA912 - Apron Assy. windscreen bottom	1
49	GG210 - Lockdown stud assy	1
51	GG222 - Clamp stud assy	2

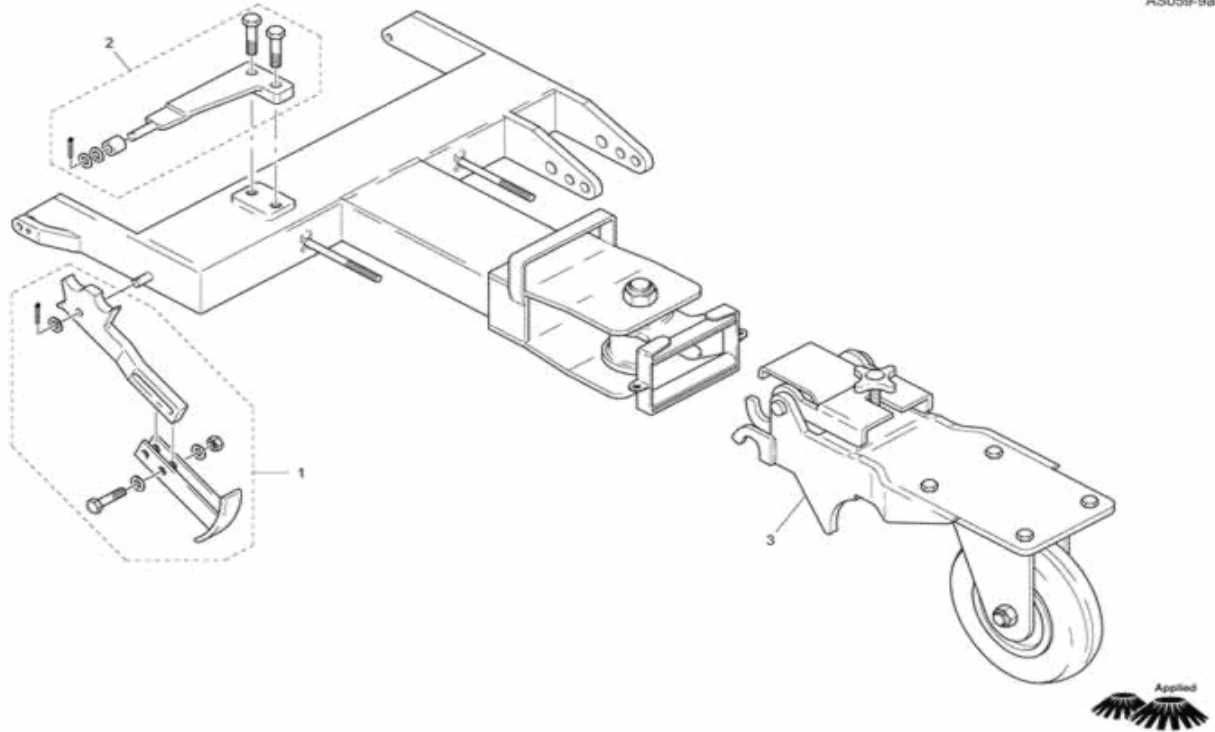
Caddy Wheel & Stand (424HS & 424TR)

Model: 424HS

From CIN: 1 To CIN: 999

Drawing: AS059-9a Revision:

AS059-9a



1	MA776 - Adjustable stand	1
2	MA957 - Spring Plate assy.	1
3	MA865 - Caddy wheel assembly - Mark 2 seat	1
3a	CB561 - Castor Wheel	1
3b	MA611 - Caddy Wheel assembly - Mark 1 seat	1

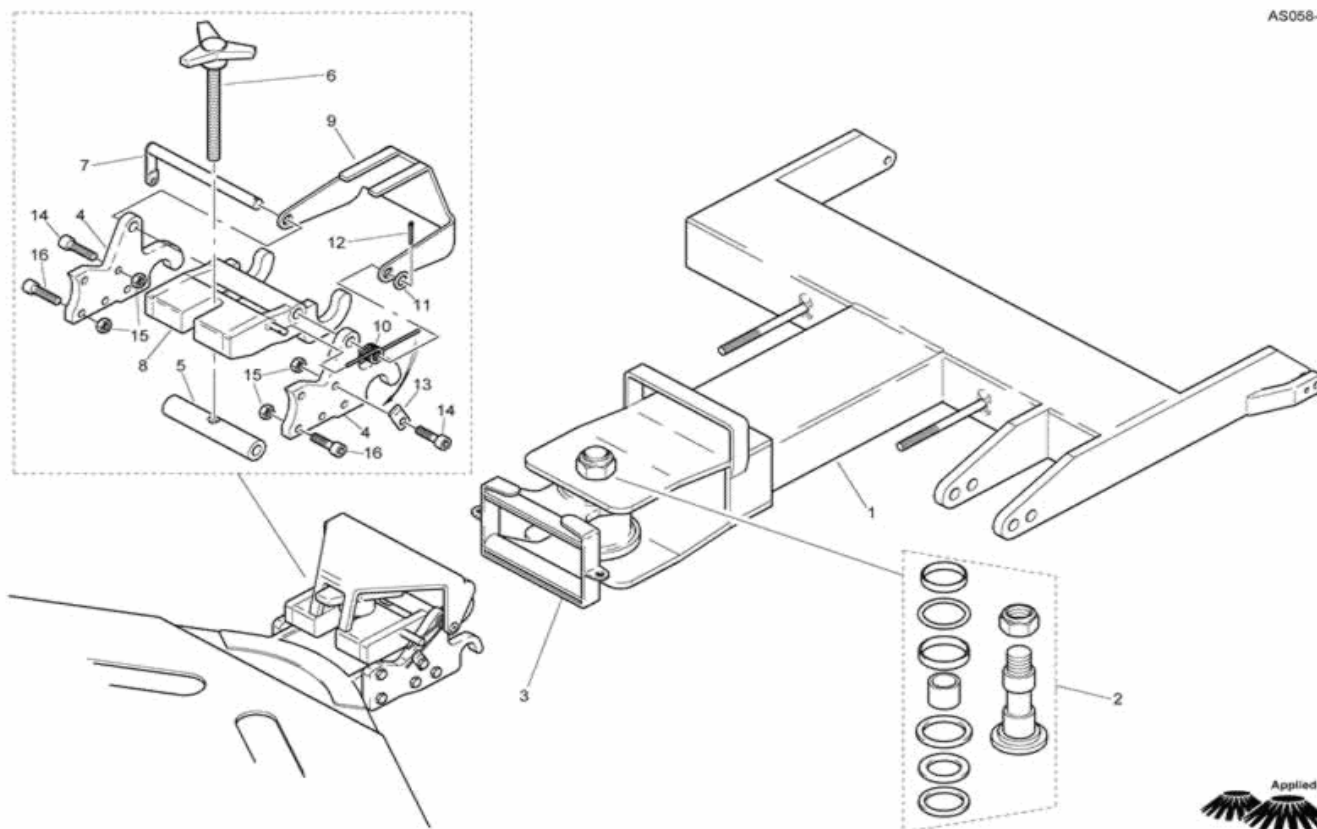
Seat Tow Bar & Coupling (424HS & 424TR)

Model: 424HS

From CIN: 1 To CIN: 999

Drawing: AS058-9a Revision:

AS058-9

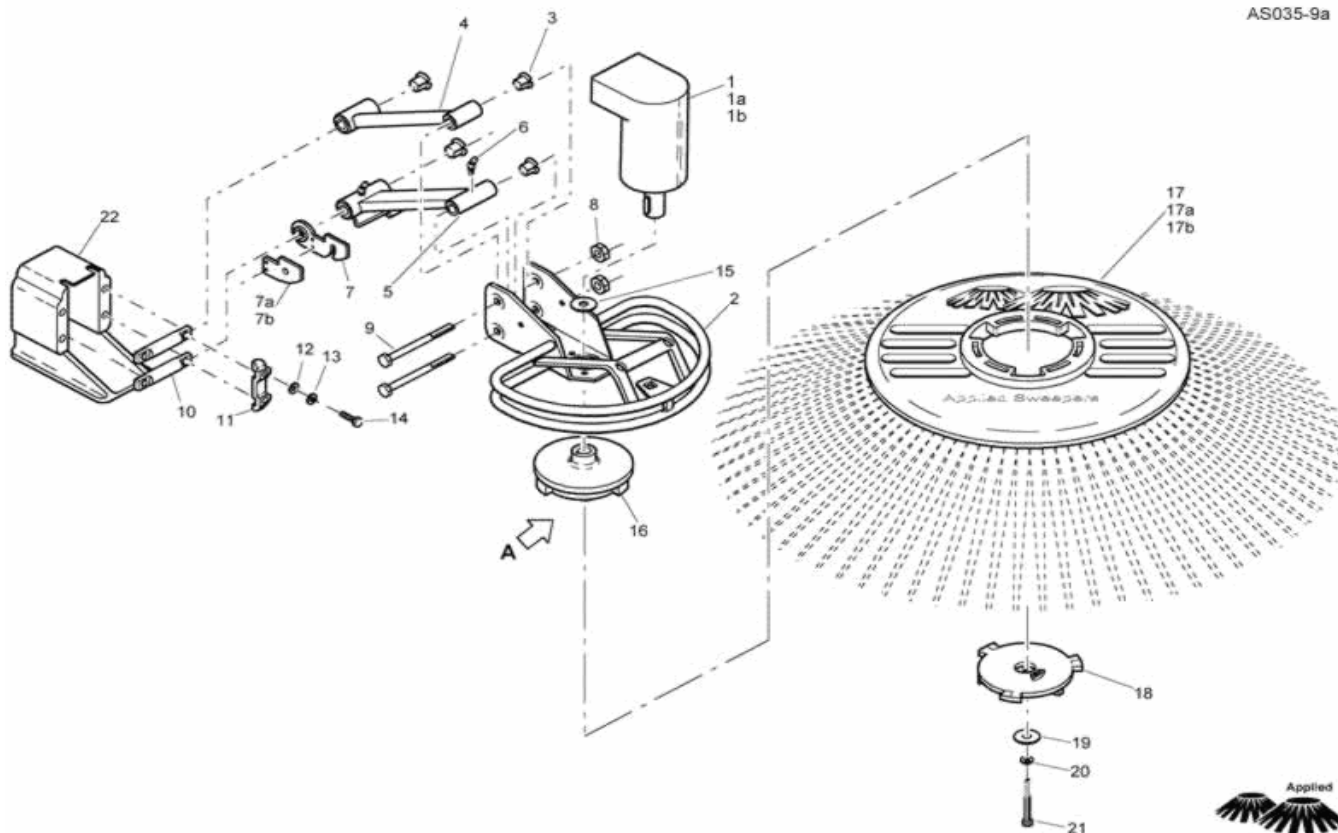


1	MA913 - Tow Bar	1
2	MA815 - Bearing/Seal Kit	1
3	MA836 - Swivel Bar weldment	1
4	MA830 - Hook, bottom fixing	1
5	MA858 - Pivot Bar	1
6	MA861 - Screw, lock down	1
7	MA847 - Pivot Pin, top hook	1
8	MA831 - Top Fixing Hook assy.	1
9	MA863 - Safety Lock	1
10	AW074 - Spring	1
11	GW051 - M12 Washers Form A	1
12	GG132 - Pin, Split - 3/32 x 3/4 - ST.ST.	1
14	GT092 - M8 x 40 Hex Screw	2
15	GN004 - M8 Locknut - Nylon	0
16	GT089 - M8 x 35 Hex Setscrew	8

Brush Assembly

Model: 424HS
 From CIN: 1 To CIN: 999
 Drawing: AS035-9a Revision:

AS035-9a

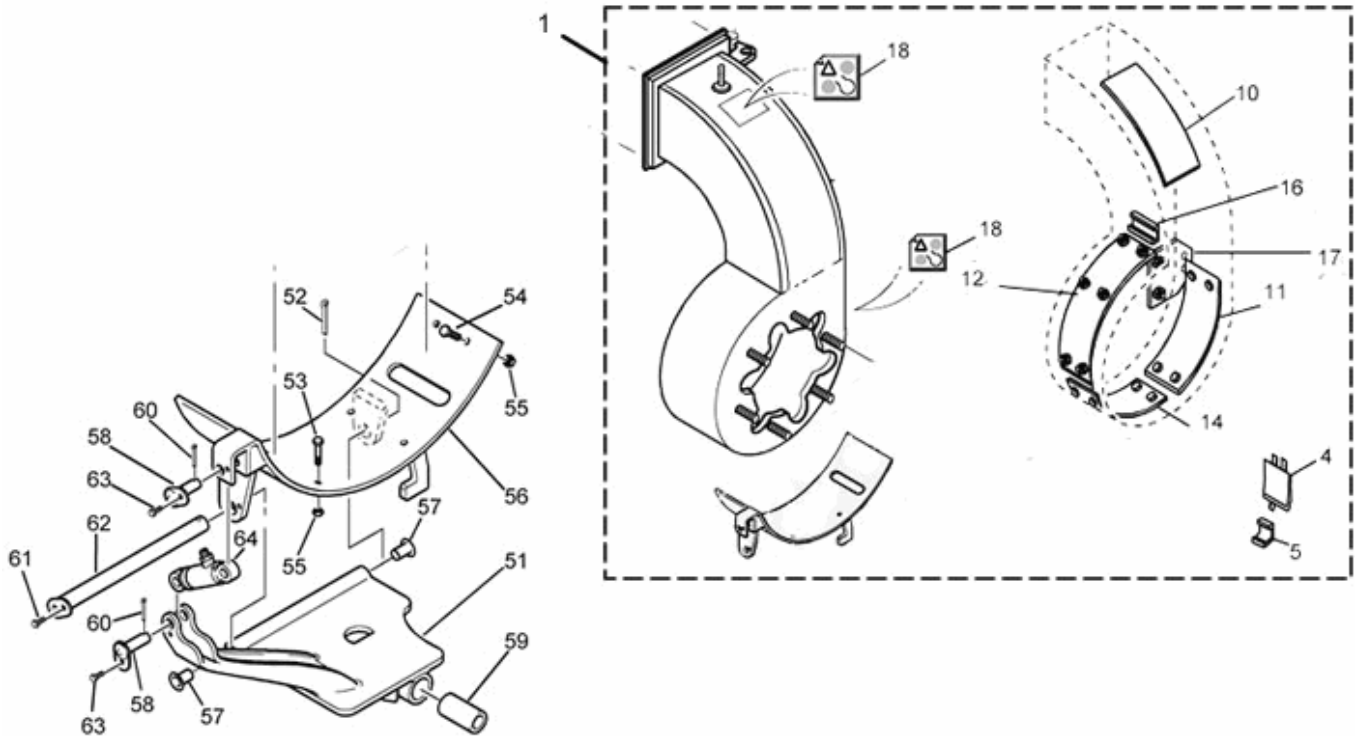


1	HM005 - Hydraulic Motor - Brush Drive	2
1a	HF056 - Key for Eaton Brush Motor	1
1a	HF058 - Seal Kit for Eaton Brush motor	1
2	NF032 - Bumper for brush arm	2
3	GB033 - Bush Kit	1
4	NF090 - Link Arm - Upper (for side brush)	1
5	NF091 - Link Arm - Lower (for side brush)	1
7	NF062 - Hook for brushes up	2
7a	NF087 - Lock-up hook - left hand	1
7b	NF088 - Lock-up hook - right hand	1
10	NF056 - Pin for brush arm	4
11	NN051 - Cap, Brush Arm Pins	4
15	GW053 - Washer, plastic 34mm (brush motor gua	2
16	NB035 - Drive Hub for quick release brush	2
17	NB046 - Brush - Poly - 400 Series (Quick Rele	2
17a	NB048 - Brush - P.E.T. - 400 Series (Quick Re	2
17b	NB062 - Brush - Poly/wire mix - 400 Series	2
18	NB036 - Lock Cam for quick release brush	2
19	GW062 - Washer 25 o/d x 6.5 i/d x 3mm	2
21	GT240 - M6 x 35 Hex Screw with Adhesive	2
22	NN050 - Front Head Support Casting	2

Fan Casing (424HS only)

Model: **424HS**
 From CIN: **1** To CIN: **999**
 Drawing: **AS070** Revision:

AS070

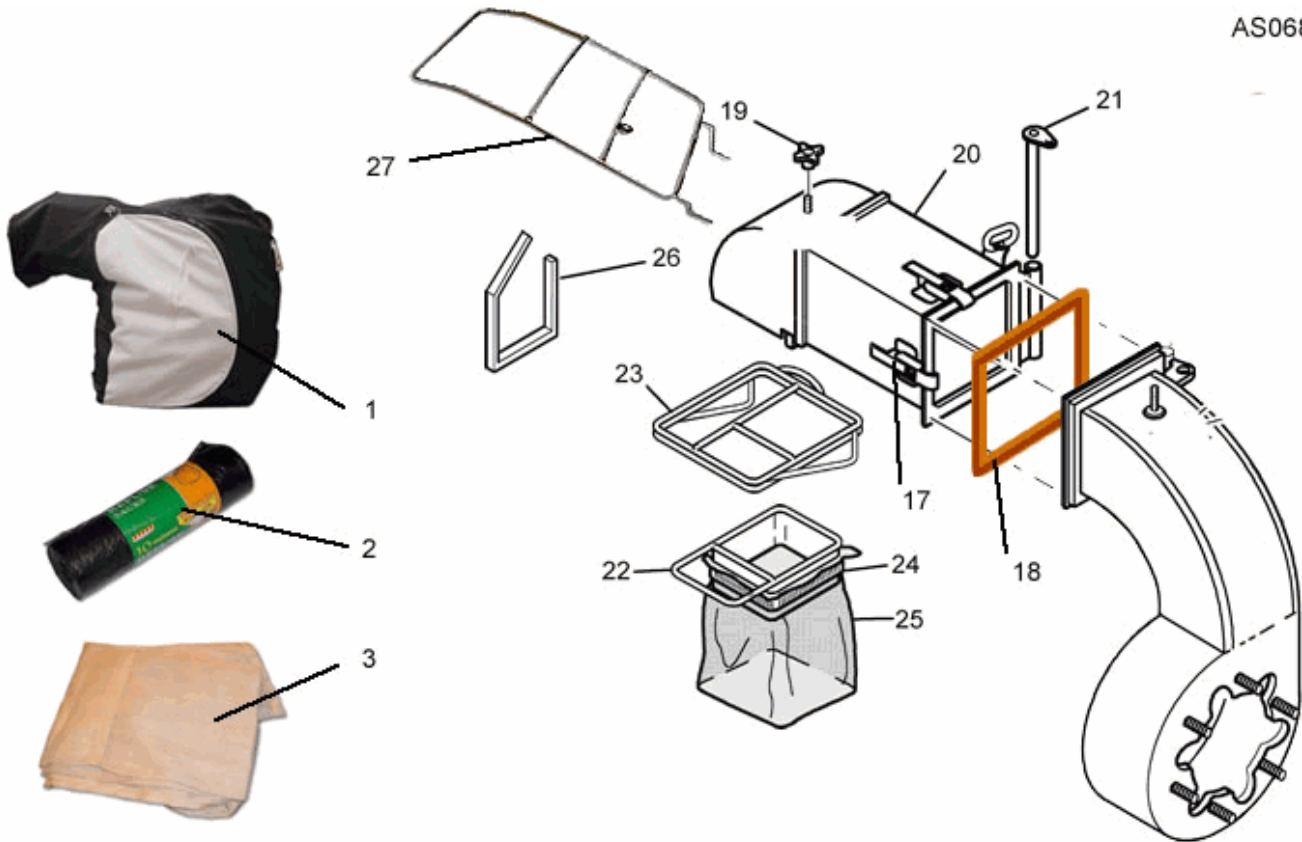


1	CC221 - Casing & Wearplates (424HS)	1
4	CC061 - Sludge door (one clip)	1
5	GG097 - Catch Plate	1
10	CC134 - Wearplate - casing trunking exit	1
11	CC125 - Wearplate - Left side	1
12	CC127 - Wearplate - Right side	1
14	CC123 - Wearplate - bottom	1
16	CC011 - Wearplate - L shaped	1
17	AW088 - Boom mounting bracket	1
51	CC174 - Bracket Lower Tilt Assembly	1
52	GG105 - Cotter Pin (1/8 in x 1 in)	1
53	GT054 - M8 x 20 Button Head Socket Screw	6
55	GN004 - M8 Locknut - Nylon	8
56	CC162 - Fishplate 424HS	1
57	GB055 - Bush	2
58	CC212 - Clevis pin weldment	1
59	GB026 - Bush, fishplate	2
61	GT100 - M8 x 16 Hex Screw	2
62	CC190 - Linkage	1
63	GT203 - M6 x 12 Hex Flanged Sheet Metal Screw	1
64	HC128 - Hydraulic Cylinder - pitch lock	1

Filter Bag & Trunking (swing-out bag system)

Model: 424HS
 From CIN: 1 To CIN: 999
 Drawing: AS068 Revision:

AS068



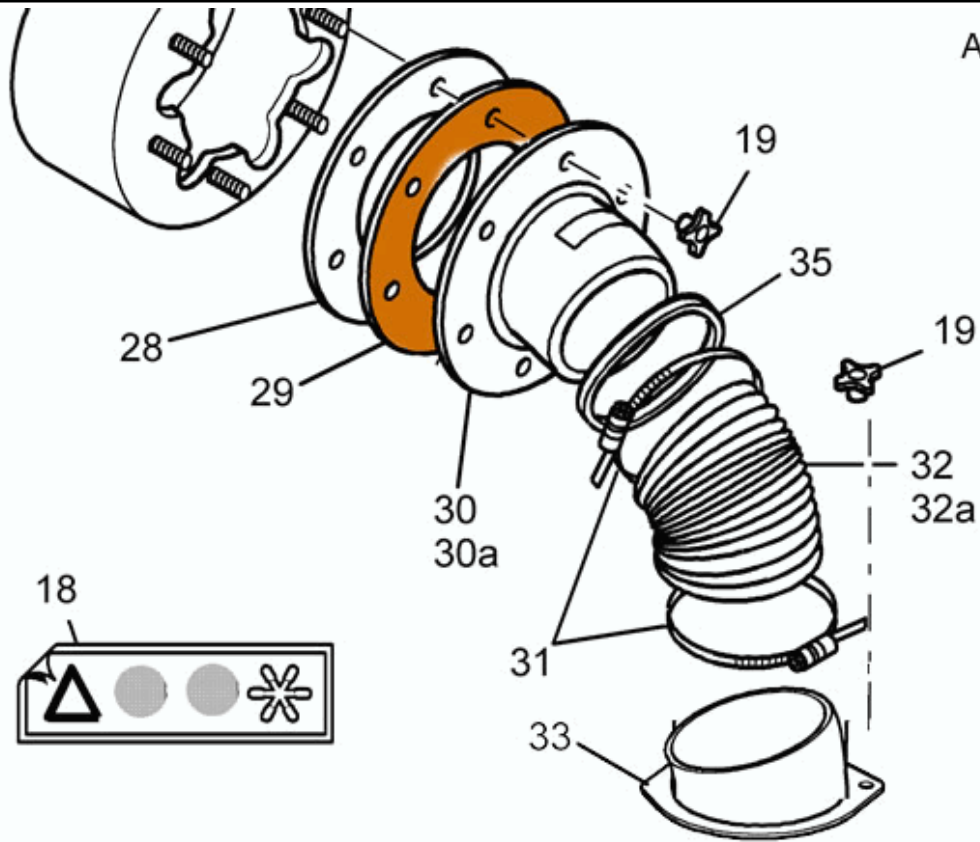
Applies to more modern 400 series Green Machines that use a swing-out system for the filter bag. For older machines, please refer to drawing AS034b.

1	VB062 - Filter Bag	1
2	VB017 - Plastic Sacks, roll (20)	1
3	VB007 - Leaf Bag	0
17	GG156 - Adjustable Latch	3
18	VT014 - Back Trunking Gasket	1
19	GG021 - Panel Knob - black M8	1
20	VT046 - Back Trunking	1
21	CB420 - Hinge Pin - Swing out bag	1
22	VT032 - Flange for Nylon Sock	1
23	VT047 - Sliding Frame (Roto-Tank)	1
24	VT035 - Hose Clamp (12.5 inches)	1
25	VB015 - Inner mesh	1
26	VT027 - Bag Strap Assembly	1
27	VB028 - Spring assy, filter bag	1

Front Hose Assembly

Model: 424HS
 From CIN: 1 To CIN: 999
 Drawing: AS069 Revision:

AS069

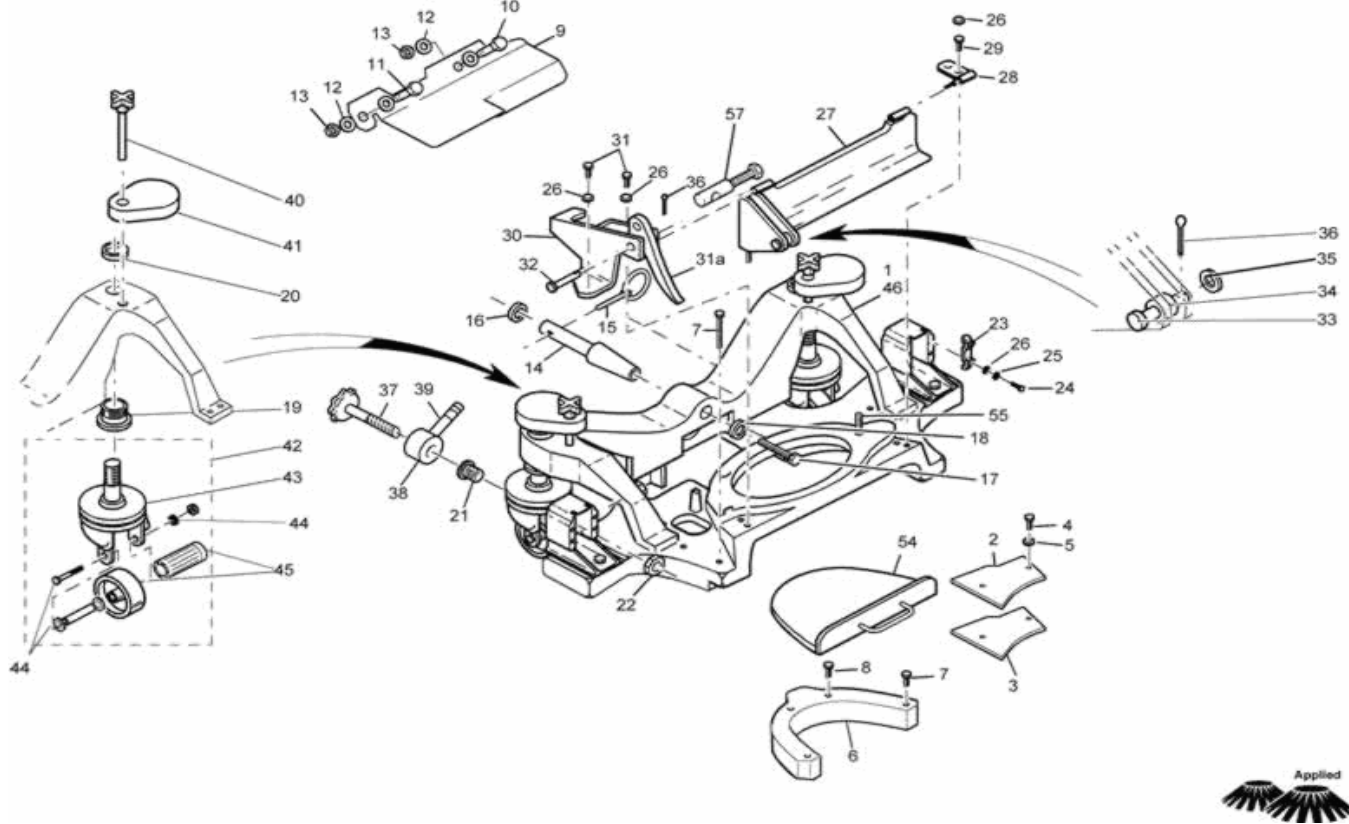


19	GG021 - Panel Knob - black M8	7
28	VT023 - Casing Ring	1
29	VT024 - Circle Gasket	1
30	AW122 - Access cover	1
30a	VT107 - Access Cover (non- whoosh)	1
31	GG015 - Hose Clamp (8.5 inch)	2
32	AW085_B - Front Hose	1
32a	VT013 - Front Hose (non whoosh)	1
32b	VT165 - Front Hose - model 424HS	1
33	VT042 - Oval Casting (one stud fixing)	1
35	GM013 - Rubber band - 8 in. diameter	2

Suction Nozzle Assembly (from CIN 100)

Model: 424HS
 From CIN: 100 To CIN: 999
 Drawing: AS012-10 Revision:

AS012-10



This drawing is for machines from CIN 100 that were fitted with a one piece front head assembly. For older machines that used a two piece casting, then please refer to drawing AS047.

1	NN090 - Suction Nozzle Assembly (One Piece)	1	31a	NN104 - Lever for Flap (All 424 plus 414 from	1
2	NN095 - Counterbalance Weight, Top	2	32	GG130 - Clevis Pin (6 x 23 mm)	1
3	NN099 - Counterbalance Weight, Bottom	2	33	GG135 - Clevis Pin (6 x 30 mm)	1
6	NN057 - Horseshoe wear-plate (from CIN 81)	1	34	GB029 - Bush, oilite	1
8	GT115 - M8 x 30 sockethead screws	1	37	NF045 - Adjuster screw for brush height	2
9	NF093 - Blanking plate	1	38	NF041 - Locking device for brush height adjus	2
10	GT092 - M8 x 40 Hex Screw	1	39	GG043 - Plastic Cap	2
11	GT042 - M8 x 30 Hex Screw	1	40	NC003 - Locking Pin for front castor	2
13	GN004 - M8 Locknut - Nylon	2	41	NN041 - Top Cap	2
14	NC034 - Pivot Pin for suction nozzle	1	42	NC002 - Castor Assembly	2
15	BB060 - Lynch Pin	1	43	NC022 - Seal for front castor wheel	2
17	GT163 - M12 x 30 Hex Screw st.st.	1	44	NC020 - Axle Set for front castor	2
18	MA061 - Washer, form a 36 o/d 12.7 i/d	1	45	NC014 - Wheel for front castor	2
19	NC030 - Bushing for castor wheel	2	54	AW134 - Horseshoe Blanking Plate (from CIN 10	2
20	GN028 - Nut - for Castor Bushing	2	56	GG179 - Adjuster	1
21	NN028 - Stud for brush height adjuster	2	57	NN107 - Cable clamp assembly	1
22	NN029 - Nut for brush height adjuster stud	2			
23	NN051 - Cap, Brush Arm Pins	4			
27	NN058 - Flap -Front (From CIN 81)	1			
28	NN064 - Hinge - Left Side - for front flap (1			
30	NN059 - Hinge - Right Side - for front flap (1			

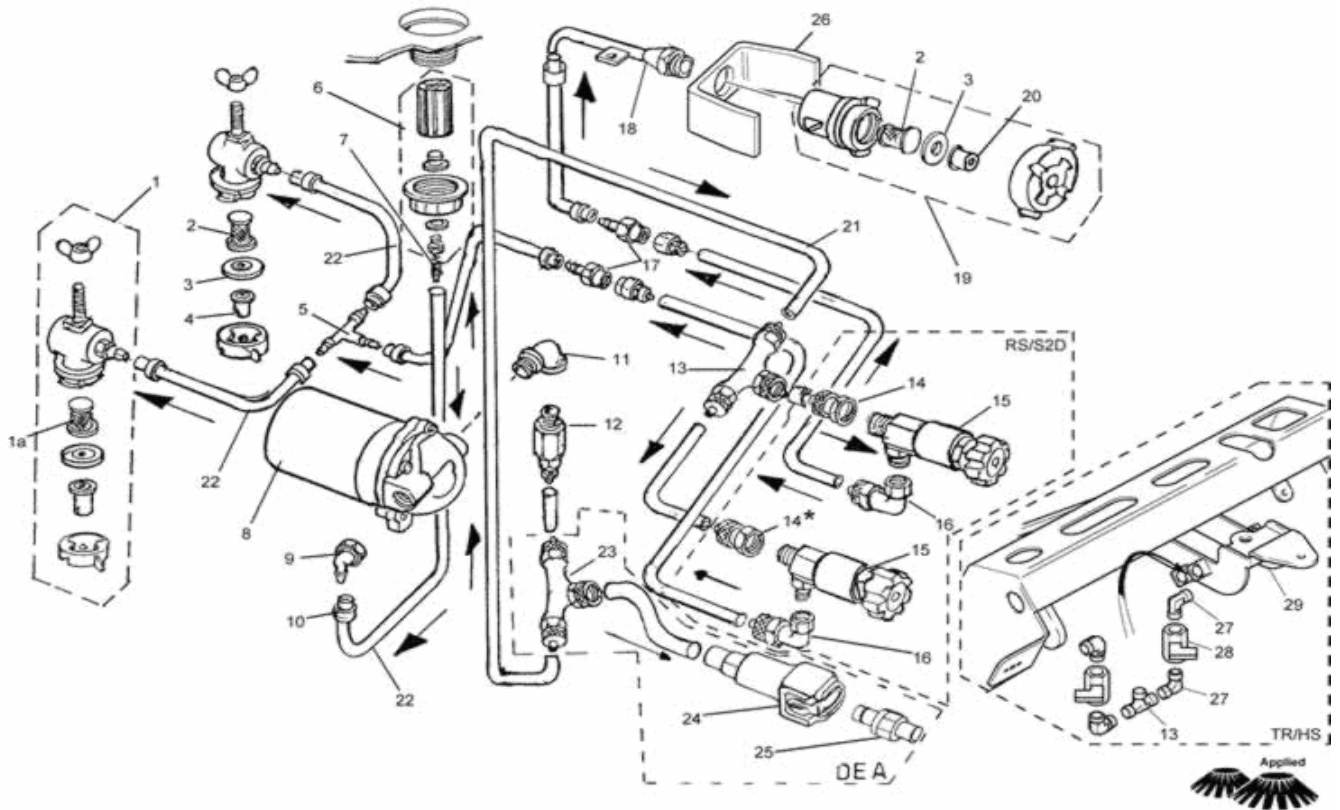
Water System

Model: 424HS

From CIN: 1 To CIN: 999

Drawing: AS020-10 Revision:

AS020-10



1	WP108 - Spray Jet Assembly for brush sprays	2	21	WA040 - Tubing - Nylon - 6mm outside diameter	0
1a	WP020 - Filter with anti-drip valve	1	22	WA004 - Black Water Hose	1
2	WP115 - Filter Spray Nozzle	3	23	WP095 - Tee - 6/4mm Tube	1
3	WP118 - - Sealing Disc	3	24	WP134 - Coupling - Quick Release - Female	1
4	WP060 - Spray Jet - Green	2	25	WP135 - Coupling - Quick Release - Male	1
5	WP005 - Tee Piece 3.16, 3.16, 3.16	1	26	CB399 - Guard for spray nozzle	1
6	WA036 - Drain Cap Assembly	1	27	WP101 - Elbows	4
7	WA012 - Water Tap - Quick Release Hose	1	28	WP131 - Valve, on/off	2
8	WP044 - - Water Pump	1			
9	WP110 - Elbow -Hose Tail - 3/8	1			
10	PG008 - O Clip - 1/2 in.	0			
11	WP112 - Elbow - 3/8 male - 3/8 female	1			
12	WP128 - Coupling 3/8	1			
13	WP095 - Tee - 6/4mm Tube	1			
14	WP094 - Female Stud Coupling 1/4	5			
15	WP106 - Needle Valve for water system	2			
16	WP100 - Elbow 1/8	1			
17	WP025 - Hose Tail - 1/4 male to 7mm	2			
17a	WP094 - Female Stud Coupling 1/4	1			
18	WP137 - Spray Tube Assembly (from CIN 92)	1			
19	WP109 - - Spray Jet Assembly for bag spray	1			
20	WP121 - - Spray Jet - Bag -Blue Cone	1			